

3-Port Circulator, WR284

GERLING

Model GA1105B

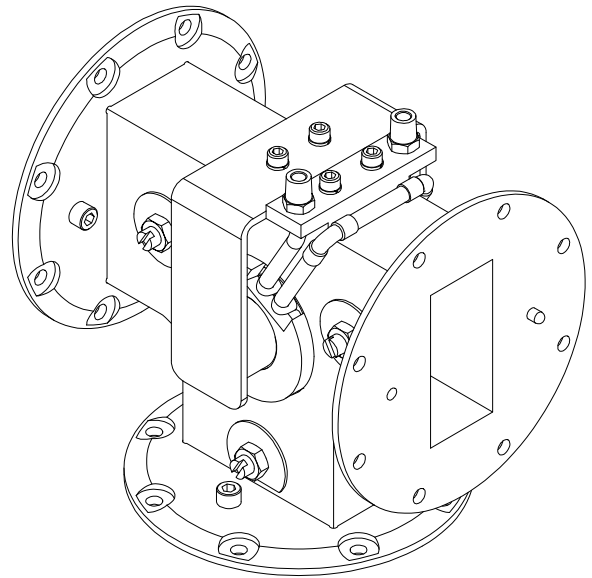
The model GA1105B 3-port circulator is designed for high power industrial heating applications requiring high reliability and rugged construction. These circulators are most often used with dummy loads in an isolator configuration for magnetron protection, but they are also useful in applications where the microwave power is to be diverted in different directions.

Construction of the GA1105B is all dip brazed aluminum waveguide. Corrosion due to harsh cooling water supplies is minimized using all copper water lines and brass fittings.

Model GA1105B features the popular WR284 Q-D (quick-disconnect) round flange that uses the convenient single screw clamp (model GA8410) for waveguide connections.

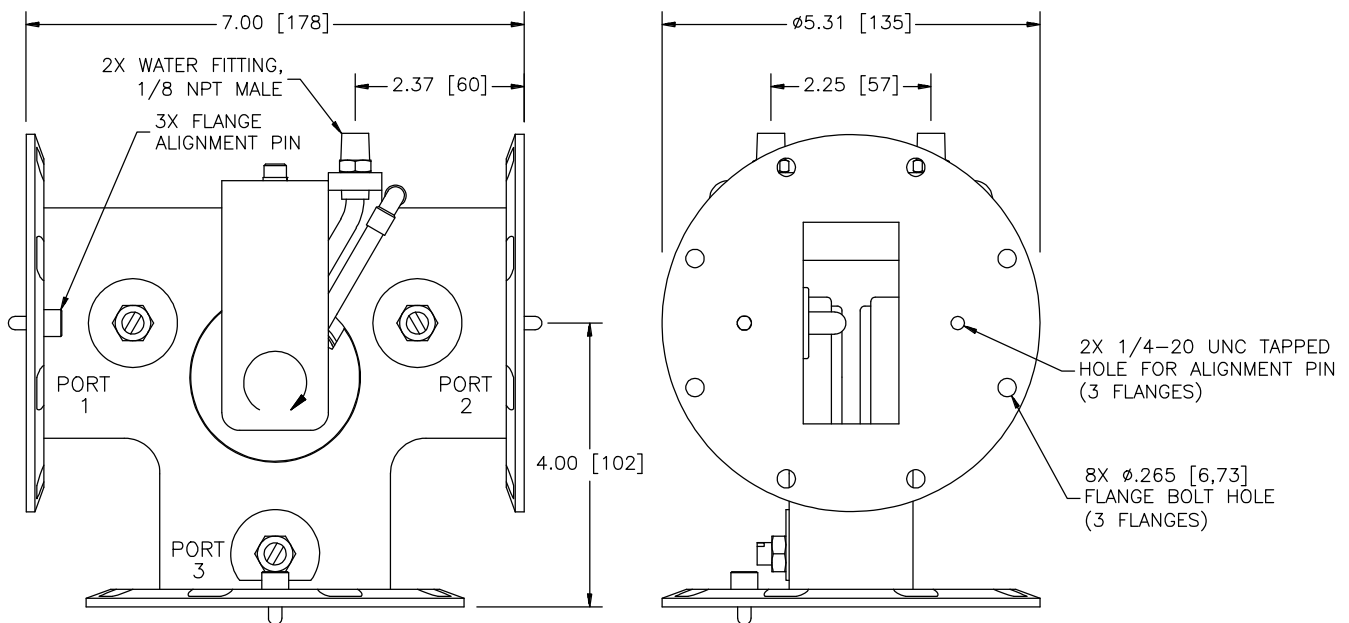
General Specifications:

Frequency	2450 MHz nominal
Input Power	3 kW continuous max. (fwd and rev)
Waveguide	WR284 (RG75/U)
Input Flange	Q-D Round (UG584/U compatible)
Input VSWR	1.1 max. (Port 1)
Insertion Loss	0.15 dB max. (Port 1 to Port 2)
Isolation	20 dB min. (Port 2 to Port 1)
Water Connections	1/8 NPT Male
Water Flow	0.5 gpm min., 70 psi max. inlet pressure, 50°C max. inlet temp (dew point minimum inlet temp)
Construction	Dip brazed aluminum, brass water connections
Finish	Clear chemical film, black paint



Options:

- ◆ Flange interlock switch (any flange)
- ◆ Water connection fittings (various types available)
- ◆ Port 3 coupler probe



GERLING APPLIED
ENGINEERING, INC.

© 2003-2006 Gerling Applied Engineering, Inc.
PO Box 580816 • Modesto, CA 95358 • USA
Phone: +1-209-527-8960 • Fax: +1-209-527-5385
E-mail: sales@2450MHz.com • Web: www.2450MHz.com