

High Power Dummy Load, WR340

GERLING

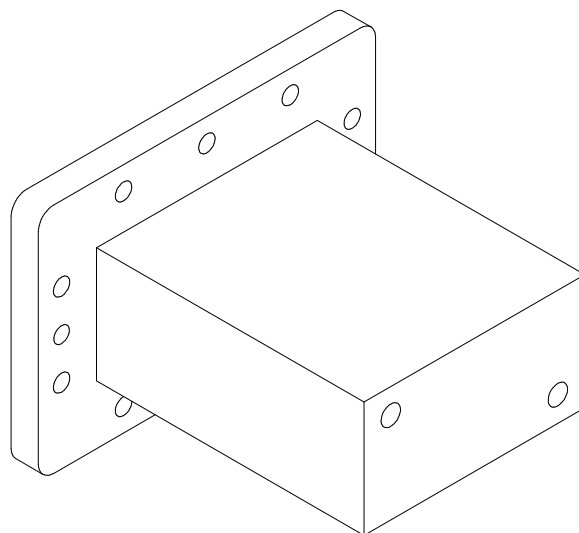
Model GA1202

GAE's popular line of high power and compact dummy loads have the highest ratio of power capacity to size of any commercially available load. These loads are most often used with circulators in an isolator configuration, but they are also useful as phantom loads for testing and calibration as well as traveling wave and variable Q applicators.

As with all GAE dummy loads, model GA1202 uses water as the absorptive medium in a polyethylene insert to provide excellent performance and long life at up to 6kW continuous input power. The naval brass water connections minimize corrosion from harsh water supplies to further enhance reliability and life.

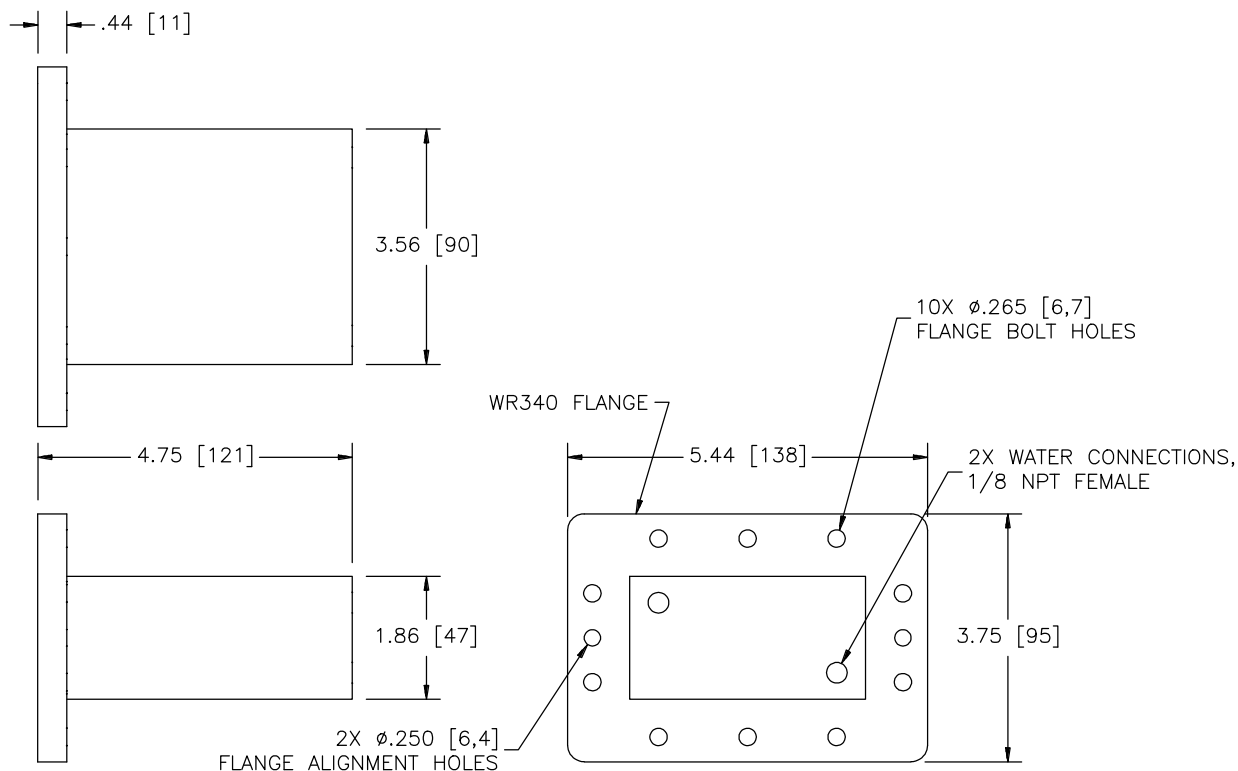
General Specifications:

Frequency	2450 MHz nominal
Input Power	6 kW continuous max.
Waveguide	WR340 (RG113/U)
Input Flange	UG554/U
Return Loss	20 dB min. @ 2450 MHz
Water Connections	1/8 NPT Female
Water Flow	1.0 gpm min., 70 psi max. inlet pressure
Construction	Dip brazed aluminum body, brass water connections
Finish	Clear chemical film (Alodine)



Options:

- ◆ Heli-Coils or studs on flange (any combination)
- ◆ Flange interlock switch
- ◆ Water connection fittings (various types available)



GERLING APPLIED
ENGINEERING, INC.

© 2007 Gerling Applied Engineering, Inc.
PO Box 580816 • Modesto, CA 95358 • USA
Phone: +1-209-527-8960 • Fax: +1-209-527-5385
E-mail: sales@2450MHz.com • Web: www.2450MHz.com