

Dummy Load w/Coupler, 6kW, WR340

GERLING

Model GA1231

GAE has extended its popular line of high power and compact dummy loads by offering a series with coupler ports for measuring loads by offering a series with coupler ports for measuring incident microwave power. When used with a standard 3-port circulator in an isolator configuration these loads provide an economical means of monitoring reflected microwave power.

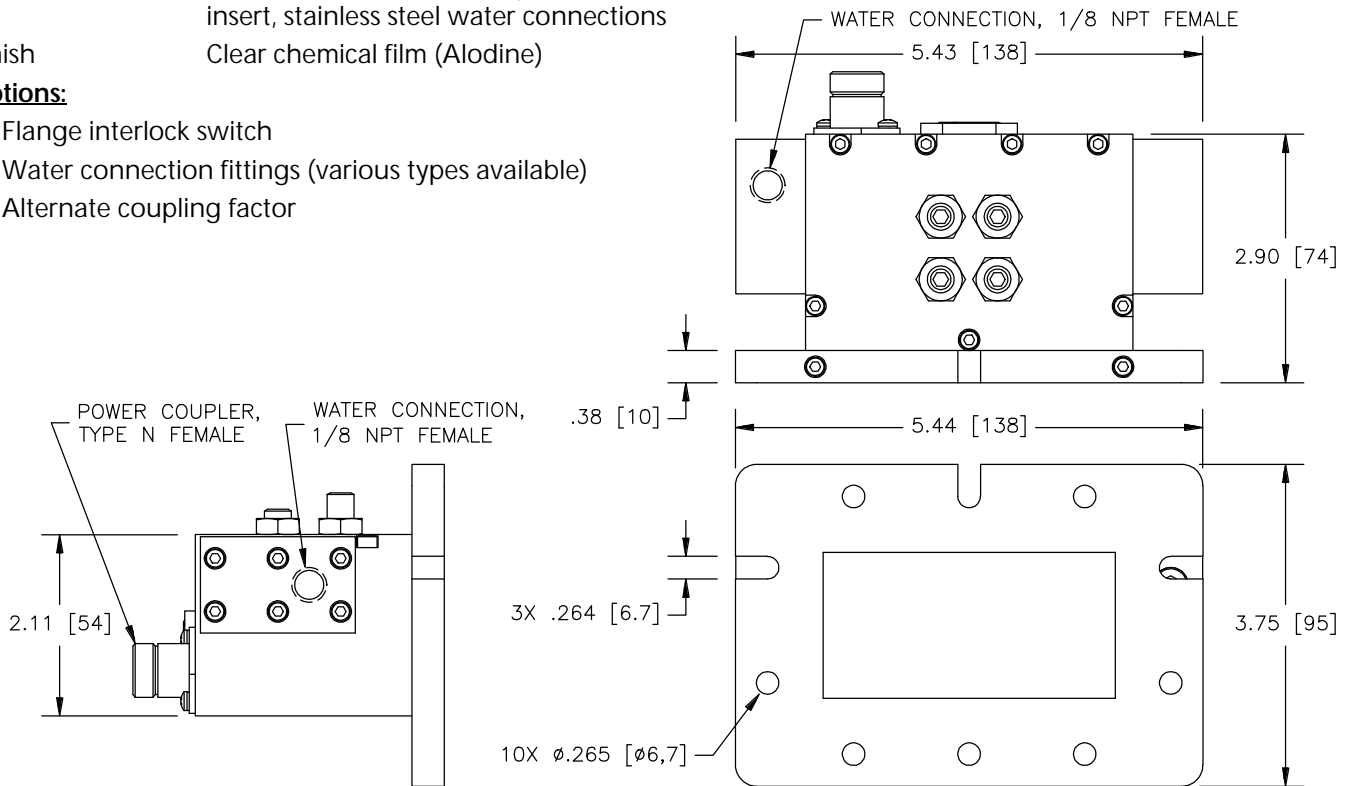
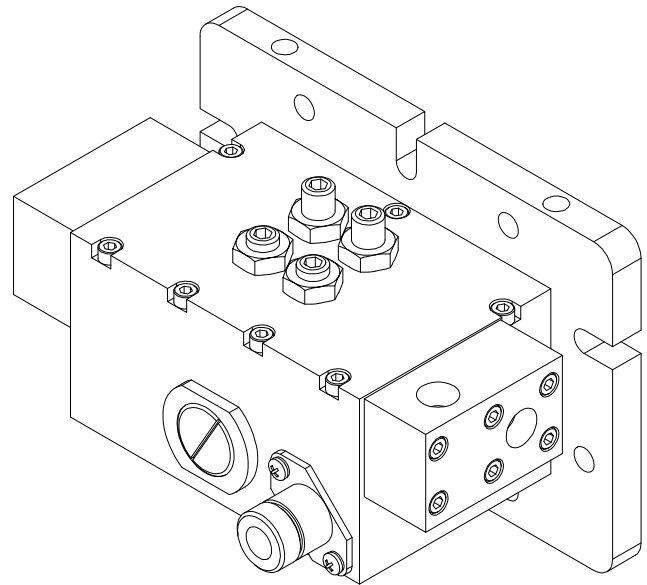
As with all GAE dummy loads, model GA1231 uses water as the absorptive medium flowing through an internal quartz tube. This design provides good performance and long life at up to 3kW continuous input power. The stainless steel water connections minimize corrosion from harsh water supplies to further enhance reliability and life. The quartz tube insert can be replaced easily by the user in the event of damage.

General Specifications:

Frequency	2450 MHz nominal
Input Power	6 kW continuous max.
Waveguide	WR340 (RG113/U)
Input Flange	CPR340 (UG554/U)
Output Connector	Type N Female
Return Loss	20 dB min. @ 2450 MHz
Coupling Factor	60 dB +/- 1 dB
Water Connections	1/8 NPT Female
Water Flow	1.0 gpm nominal, 70 psi max. inlet pressure
Construction	Dip brazed aluminum body, quartz insert, stainless steel water connections
Finish	Clear chemical film (Alodine)

Options:

- ◆ Flange interlock switch
- ◆ Water connection fittings (various types available)
- ◆ Alternate coupling factor



GERLING APPLIED
ENGINEERING, INC.

© 2010 Gerling Applied Engineering, Inc.
PO Box 580816 • Modesto, CA 95358 • USA
Phone: +1-209-527-8960 • Fax: +1-209-527-5385
E-mail: sales@2450MHz.com • Web: www.2450MHz.com