

Waveguide Adapter, Type N Coax

GERLING

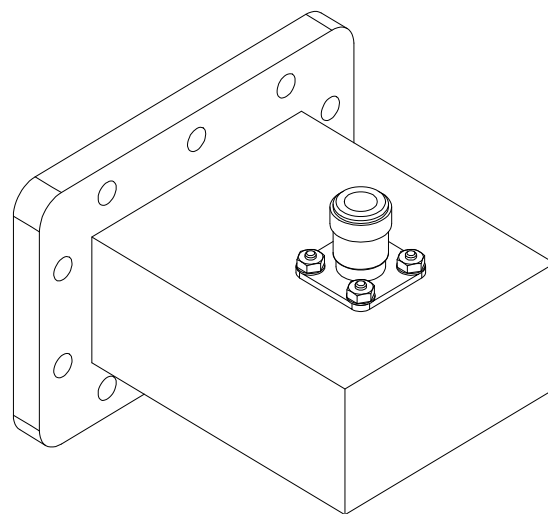
Model GA2001
Model GA2005

GAE offers a series of high power waveguide to coax transitions that deliver high performance at relatively high microwave power levels. Each model in the series utilizes the classical cross-bar method of terminating the coaxial center conductor, thus minimizing or eliminating the voltage breakdown common with non-terminated designs. The power rating is limited only by the rating of the coaxial cable (provided by the customer) attached to the Type N connector, which in most cases does not exceed 1 kW.

Model GA2005 features the popular WR284 Q-D (quick-disconnect) round flange that uses the model GA8410 quick release clamp for waveguide connections.

General Specifications:

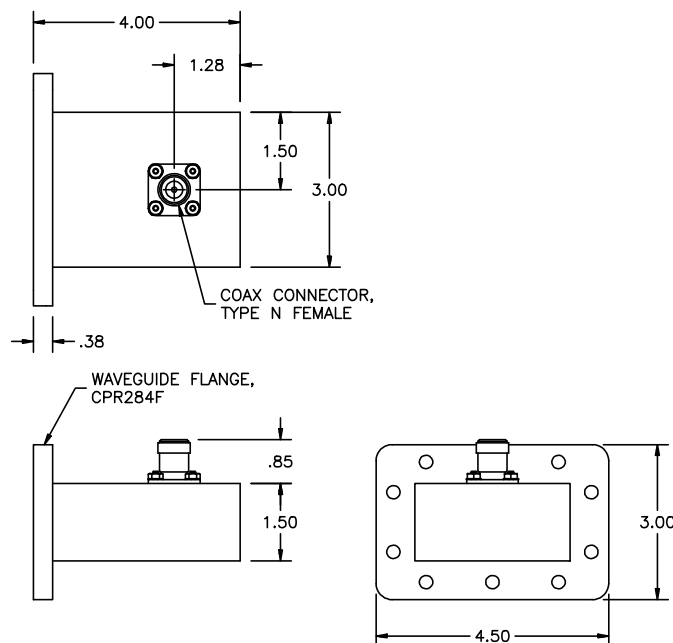
| | |
|------------------|---|
| Frequency | 2450 MHz +/- 50 MHz |
| Input Power | 1 kW continuous max. (output to matched load) |
| Waveguide | WR284 (RG75/U) |
| Waveguide Flange | GA2001: CPR (UG1725/U) GA2005: Q-D Round (UG584/U) |
| Coax Connector | Type N female |
| Input VSWR | 1.2 max. |
| Insertion Loss | .13 dB max |
| Construction | Aluminum waveguide body; Brass coax connector and center conductor |
| Finish | Chemical film; black textured paint |



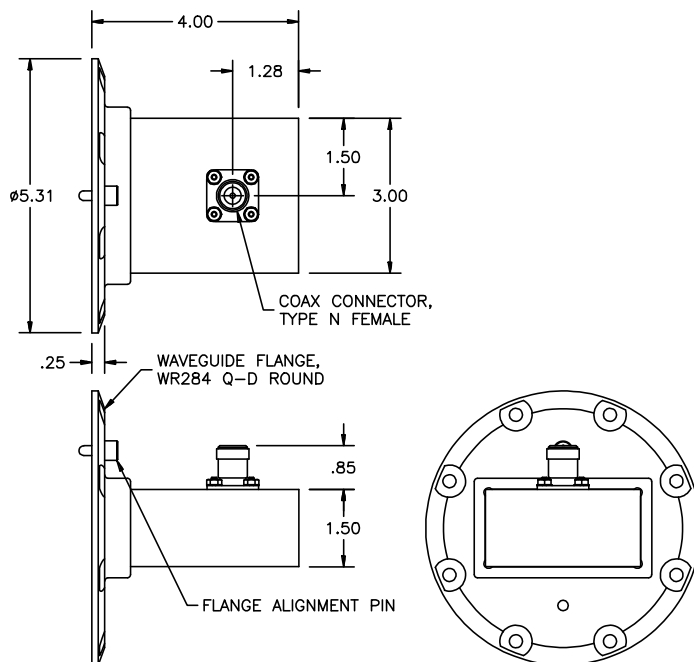
Model GA2001

Options:

- ◆ Threaded inserts or studs on flange (any combination)
- ◆ Flange interlock switch



MODEL GA2001



MODEL GA2005



**GERLING APPLIED
ENGINEERING, INC.**

© 2003-2009 Gerling Applied Engineering, Inc.
PO Box 580816 ▪ Modesto, CA 95358 ▪ USA
Phone: +1-209-527-8960 ▪ Fax: +1-209-527-5385
E-mail: sales@2450MHz.com ▪ Web: www.2450MHz.com