

# Flexible Waveguide, WR340

GERLING

## Model GA2102

### Specifications:

|                       |   |
|-----------------------|---|
| Waveguide             | WR340   |
| Flange                | UG554/U   |
| Material              | 6061-T6 aluminum flanges, corrugated copper waveguide       |
| Finish (flanges only) | Clear chemical film (Alodine 1000) per MIL-C-5541, Class 1A |
| VSWR                  | 1.10 max.   |
| Insertion Loss        | .02 dB/ft max.  |
| Length A (min/max)    | 4.00 (102); 48.00 (1219)                                    |
| Bend Radius (min)     | E-plane: 4" (102); H-plane: 12" (306)                       |
| Max. Twist            | 7.5°/in. (3°/cm)  |

### Options:

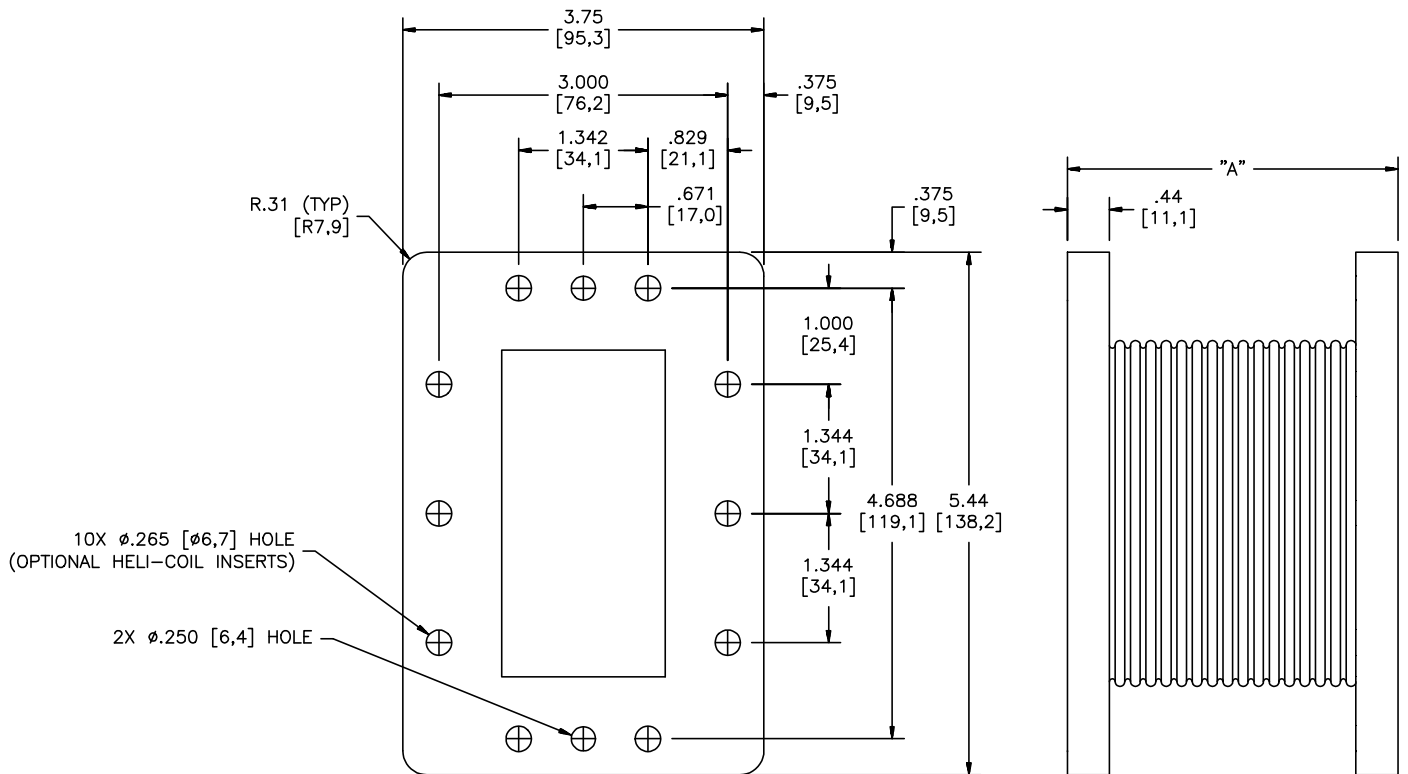
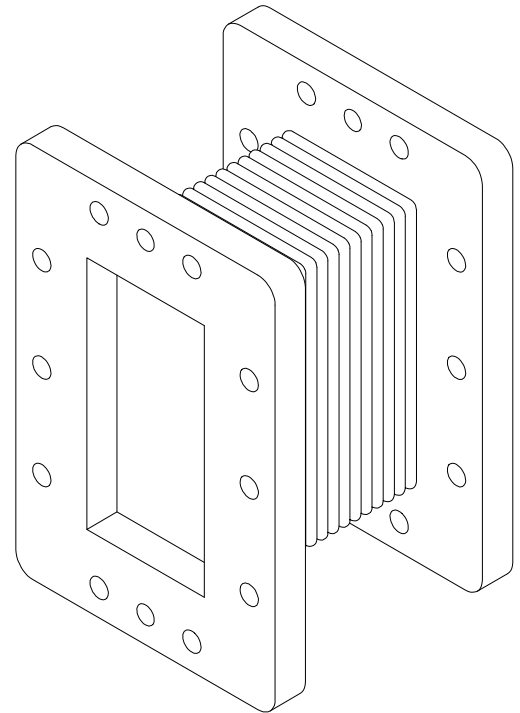
- ◆ Flange Interlock switches

### Ordering Information:

Model Number Format: **GA2102-X.XX**  
 X.XX = "A" dimension (inches)

Optional threaded inserts: Add "H" or "M" after dimension suffix for threaded inserts in one flange only, "HH" or "MM" for inserts in both flanges (H = 1/4-20 UNC; M = M6 metric)

Example: **GA2102-12.00H** designates Flexible Waveguide, WR340, 12" long with inserts in one flange only



GERLING APPLIED  
ENGINEERING, INC.

© 2003 Gerling Applied Engineering, Inc.  
 PO Box 580816 • Modesto, CA 95358 • USA  
 Phone: +1-209-527-8960 • Fax: +1-209-527-5385  
 E-mail: sales@2450MHz.com • Web: www.2450MHz.com