

90° H-Plane Bend, WR284

GERLING

Model GA2304

Specifications:

Waveguide:	WR284
Flange:	Quick-disconnect round, compatible with UG-584/u
Material:	6061-T6 Aluminum
Construction:	Dip braze per MIL-B-7883, Type V, Class B
Finish:	Clear chemical film per MIL-C-5541, Class 1A
VSWR:	1.10 (max.)
Insertion Loss:	.02 dB (max.)
Length A/B Min, Max:	2.50 (63,5); 48.00 (1219)

Ordering Information:

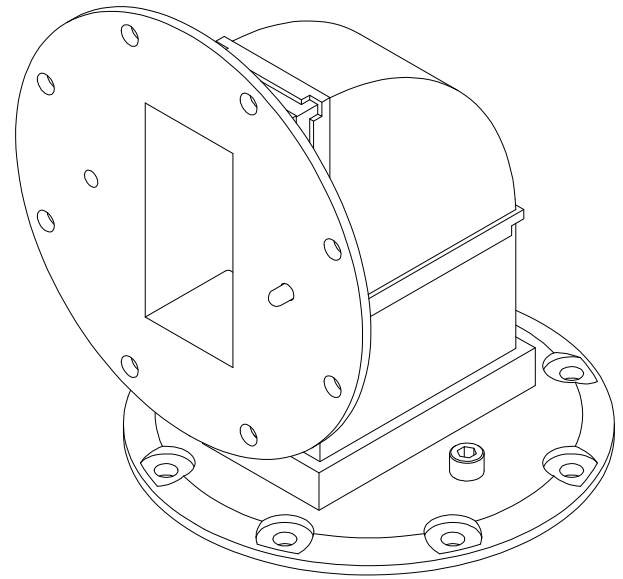
Model Number Format: **GA2304** = Standard model with 4" lengths (dimensions "A" and "B")

GA2304-Y.YY-Z.ZZ

Y.YY = "A" flange dimension (inches)

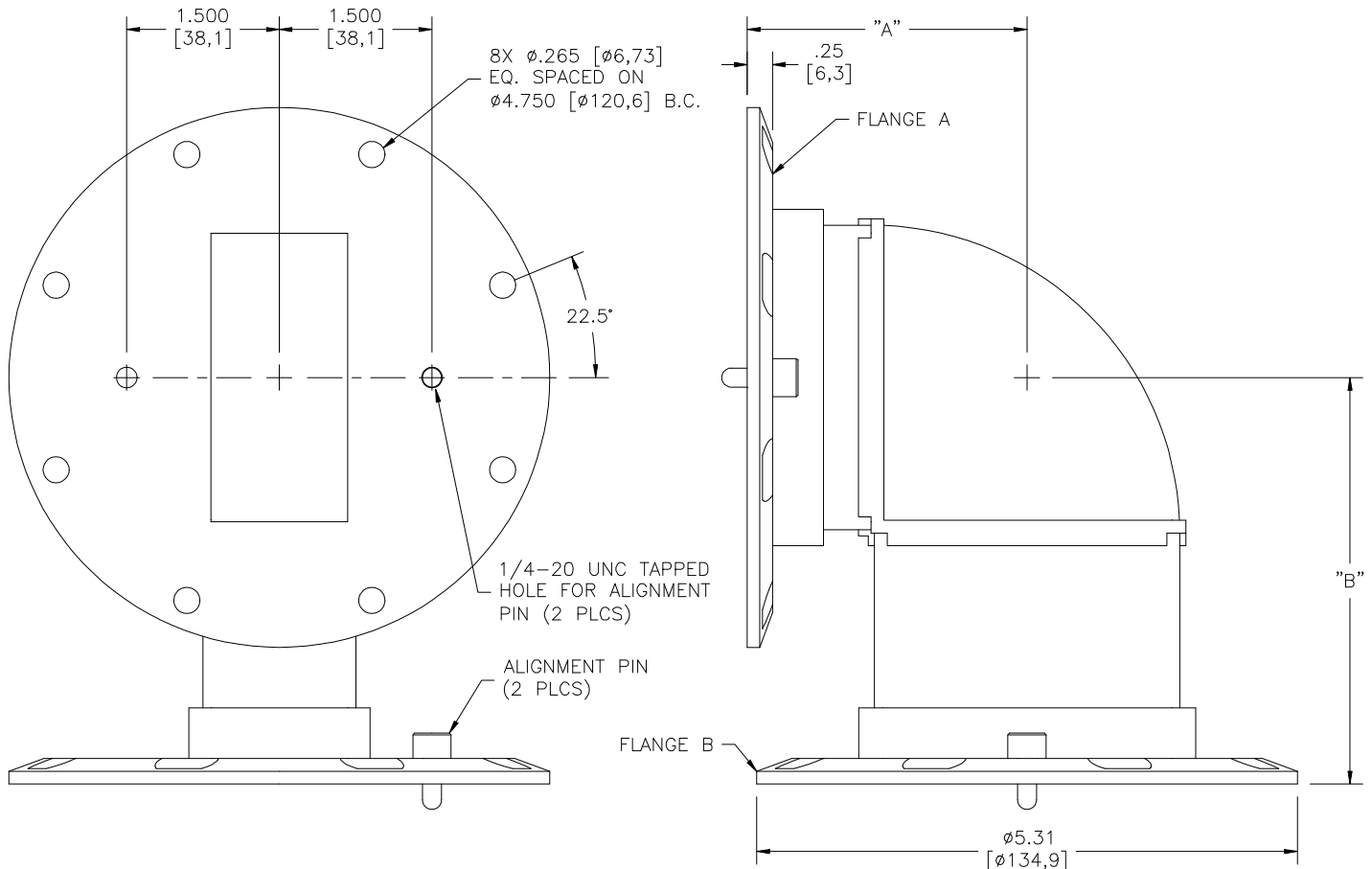
Z.ZZ = "B" flange dimension (inches)

Example: **GA2304-3.00-4.50** designates a 90° H-plane Bend, WR284, with 3.00" and 4.50" lengths



Options:

- ◆ Flange interlock switches
- ◆ Alternate finish (paint)
- ◆ Alternate materials (brass/copper, stainless)



GERLING APPLIED
ENGINEERING, INC.

© 2003 Gerling Applied Engineering, Inc.
PO Box 580816 ▪ Modesto, CA 95358 ▪ USA
Phone: +1-209-527-8960 ▪ Fax: +1-209-527-5385
E-mail: sales@2450MHz.com ▪ Web: www.2450MHz.com