

Flange Adapter, WR340 to Q-D Round

GERLING

Model GA2401

A popular feature of many GAE standard products is the quick-disconnect (Q-D) flange used on WR284 waveguide components. This flange utilizes a single screw clamp, GAE model GA8401, to enable rapid assembly and disassembly of waveguide component setups.

Although the Q-D flange is found mostly on WR284 waveguide components, it can also be adapted to most WR340 components using the flange adapter model GA2401.

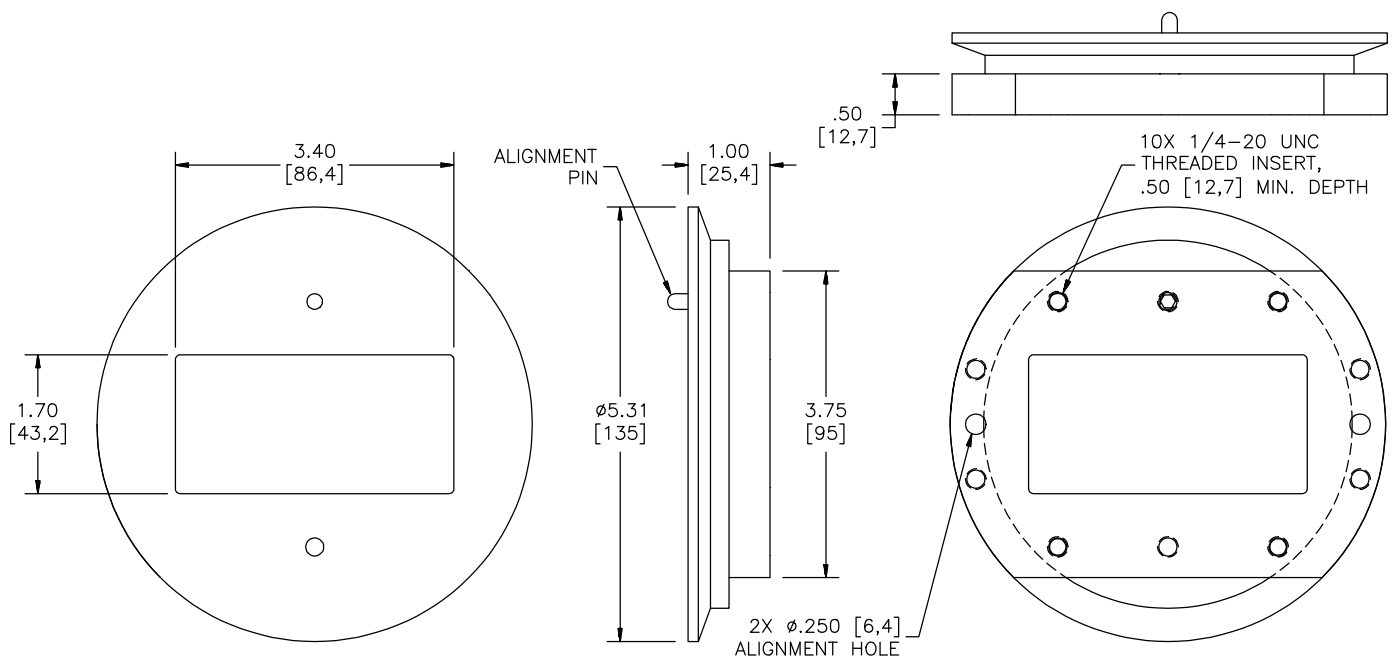
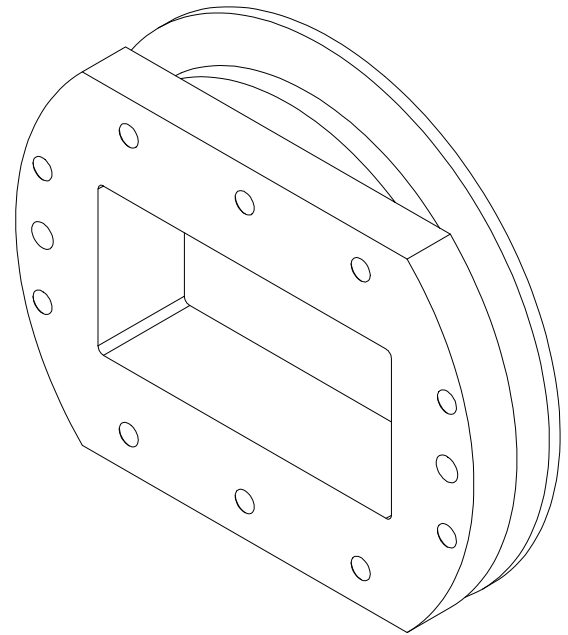
Model GA2401 has threaded inserts for mating to standard WR340 waveguide flanges (UG554/U) having clearance bolt holes. The GA2401 is a high quality, precision machined component for enhanced performance and durability.

General Specifications:

| | |
|----------------|--|
| Frequency | 2450 MHz nominal |
| Input Power | 15 kW continuous max. |
| Waveguide | WR340 (RG113/U) |
| Port 1 Flange | WR340 (UG554/U compatible) |
| Port 2 Flange | Q-D Round (UG584/U compatible) |
| Input VSWR | 1.02:1 max. |
| Insertion Loss | .01 dB max. |
| Construction | Aluminum |
| Finish | Clear chemical film per MIL-C-5541, Class 1A |

Options:

- ◆ Threaded studs or alternate thread size
- ◆ Interlock switch
- ◆ Alternate finish



GERLING APPLIED
ENGINEERING, INC.

© 2003 Gerling Applied Engineering, Inc.
PO Box 580816 • Modesto, CA 95358 • USA
Phone: +1-209-527-8960 • Fax: +1-209-527-5385
E-mail: sales@2450MHz.com • Web: www.2450MHz.com