

Single Power Monitor, CPRR284

GERLING

Model GA3001

The model GA3003 Single Power Monitor provides a low cost and convenient means to measure the level of microwave power flowing in both directions in WR284 waveguide. Microwave power is displayed by a large analog meter enclosed in an attractive case suitable for both laboratory and industrial applications.

The heart of the GA3003 is the model GA3103 Dual Directional Coupler, part of the compact, high performance WaveProbe™ family of waveguide couplers. A crystal detector converts the coupler output RF signal to a DC voltage which is delivered to the analog meter via an RG-58/U coaxial cable.

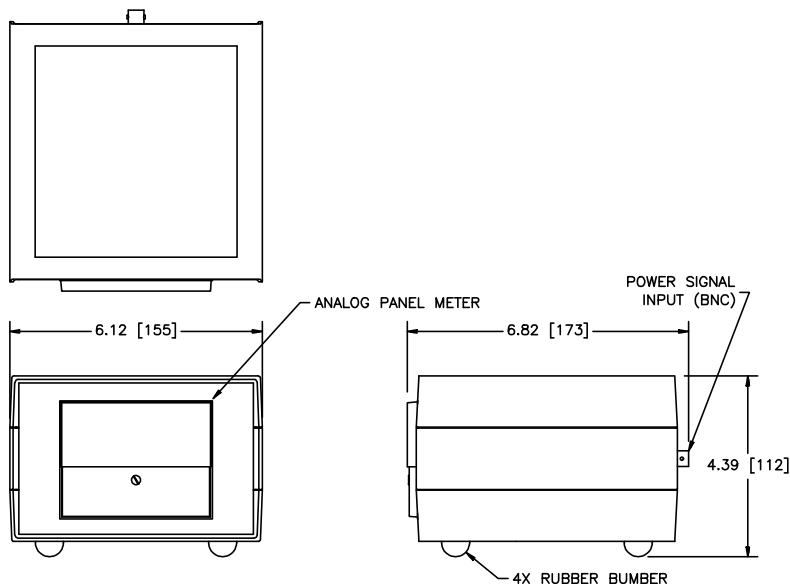
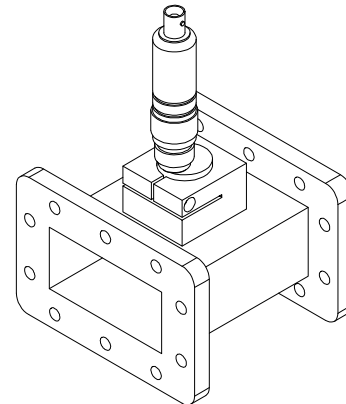
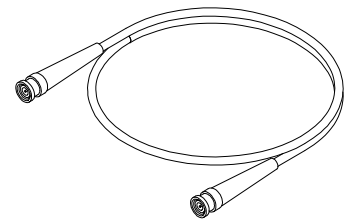
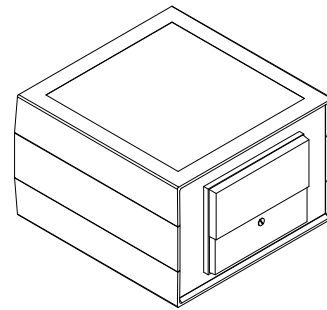
The waveguide coupler features the popular Q-D (quick-disconnect) round flange that uses a single screw clamp (Model GA8401) for waveguide connections.

Specifications:

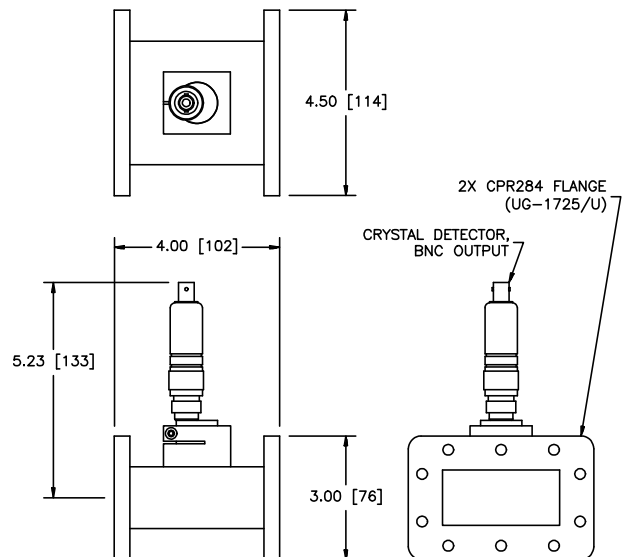
Waveguide	WR284
Flange	CPR284F (UG-1725/U)
Frequency	2450 MHz +/- 50 MHz
Power (continuous)	6 kW maximum
Meter Scale	GA3001-1: 3.5 kW; GA3001-2: 2.0 kW GA3001-3: 350 W; GA3001-4: 200 W
Accuracy	+/- 5% of full scale @ 25°C
Coupler Directivity	25 dB minimum
Cables	RG-58/U, BNC male connectors, 6' long

Options:

- ◆ Alternate meter scale
- ◆ Alternate flange-flange length (4" minimum)
- ◆ Flange interlock switches



SINGLE METER CASE



SINGLE DIRECTIONAL COUPLER



GERLING APPLIED
ENGINEERING, INC.

© 2004 Gerling Applied Engineering, Inc.
PO Box 580816 • Modesto, CA 95358 • USA
Phone: +1-209-527-8960 • Fax: +1-209-527-5385
E-mail: sales@2450MHz.com • Web: www.2450MHz.com