

Dual Power Monitor, WR284

GERLING

Model GA3004

The model GA3004 Dual Power Monitors provide a low cost and convenient means to measure the level of microwave power flowing in both directions in WR284 waveguide. Microwave power is displayed by large analog meters enclosed in an attractive case suitable for both laboratory and industrial applications.

The heart of the GA3004 is the model GA3104 Dual Directional Coupler, part of the compact, high performance WaveProbe™ family of waveguide couplers. Crystal detectors convert the coupler output RF signals to DC voltages which are delivered to the analog meters via RG-58/U coaxial cables.

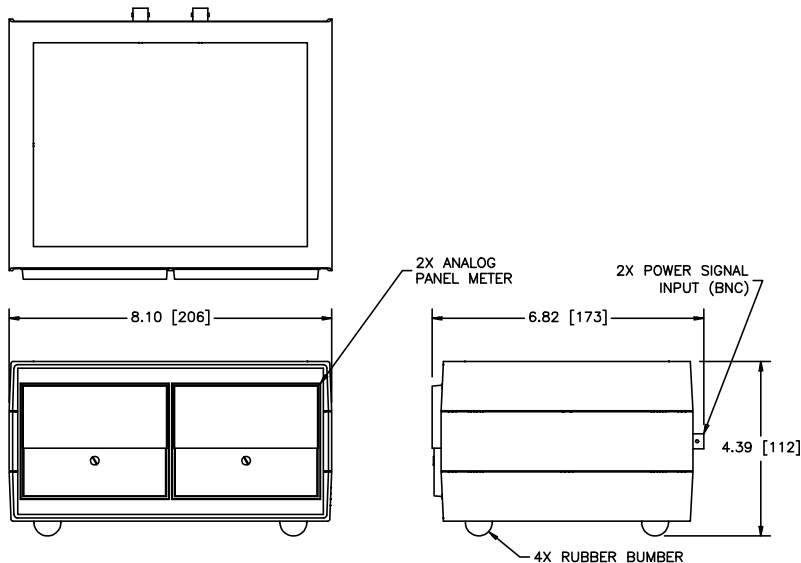
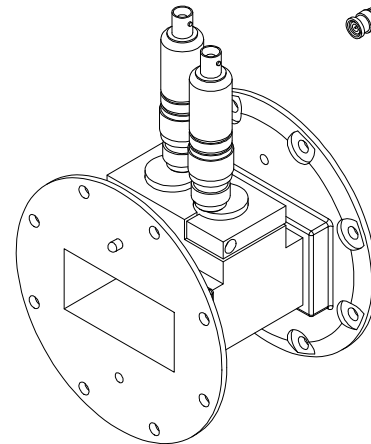
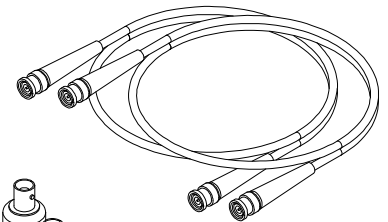
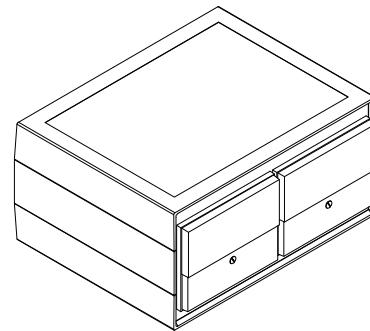
The waveguide coupler features the popular Q-D (quick-disconnect) round flange that uses a single screw clamp (Model GA8401) for waveguide connections.

Specifications:

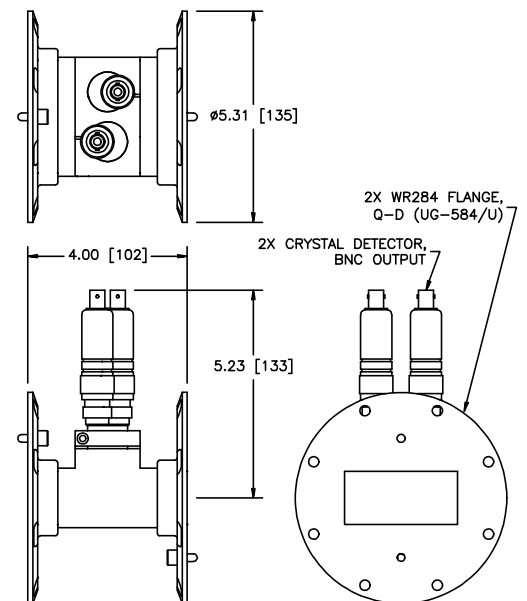
Waveguide	WR284
Flange	Q-D Round (UG584/U)
Frequency	2450 MHz +/- 50 MHz
Power (continuous)	6 kW maximum
Meter Scale (both)	GA3004-1: 3.5 kW; GA3004-2: 2.0 kW GA3004-3: 350 W; GA3004-4: 200 W
Accuracy	+/- 5% of full scale @ 25°C
Coupler Directivity	25 dB minimum
Cables	RG-58/U, BNC male connectors, 6' long

Options:

- ◆ Alternate meter scales
- ◆ Alternate flange-flange length (4" minimum)
- ◆ Flange interlock switches



DUAL METER CASE



DUAL DIRECTIONAL WAVEGUIDE COUPLER



GERLING APPLIED
ENGINEERING, INC.

© 2004 Gerling Applied Engineering, Inc.
PO Box 580816 ▪ Modesto, CA 95358 ▪ USA
Phone: +1-209-527-8960 ▪ Fax: +1-209-527-5385
E-mail: sales@2450MHz.com ▪ Web: www.2450MHz.com