

Dummy Load Power Monitor, WR284

GERLING

Model GA3005

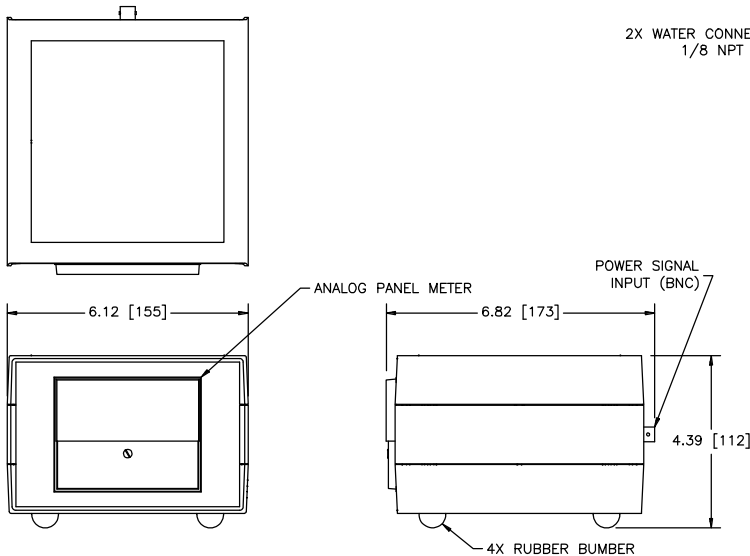
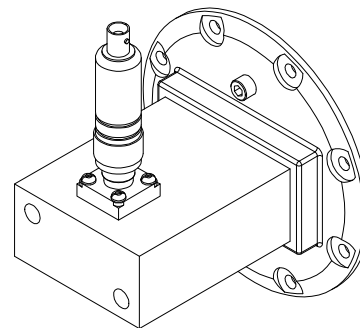
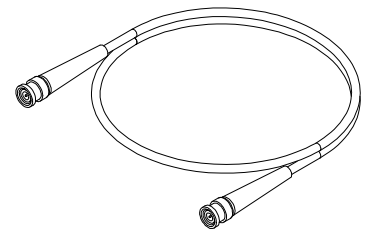
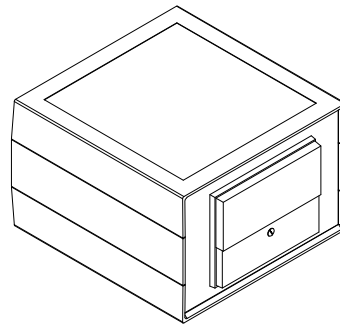
The model GA3005 Dummy Load Power Monitor was designed to provide a low cost and convenient means to measure the level of reverse microwave power in WR284 waveguide when used in conjunction with a typical 3-port circulator (such as model GA1105). Microwave power is displayed by a large analog meter enclosed in an attractive case suitable for both laboratory and industrial applications. The heart of the GA3005 is the model GA1211 Dummy Load Coupler. A crystal detector converts the coupler output RF signal to a DC voltage which is delivered to the analog meter via an RG-58/U coaxial cable. The dummy load features the popular Q-D (quick-disconnect) round flange that uses a single screw clamp (Model GA8401) for waveguide connections.

Specifications:

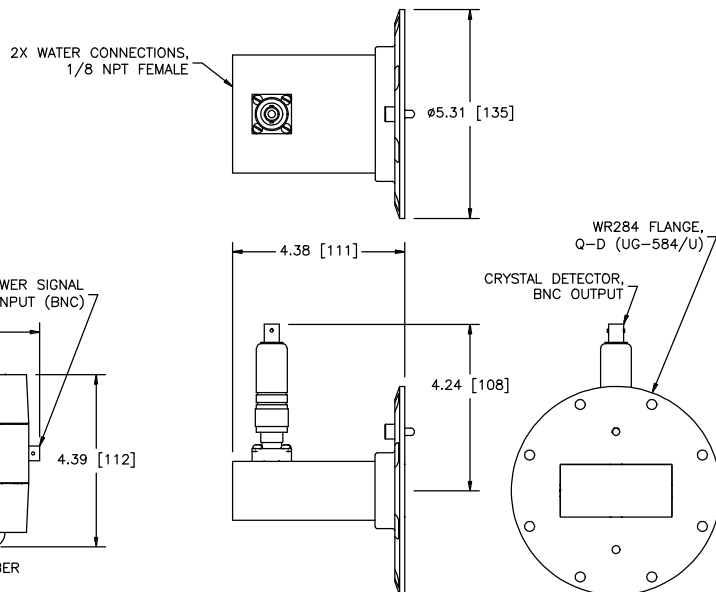
Waveguide	WR284
Flange	Q-D Round (UG-584/U)
Frequency	2450 MHz +/- 50 MHz
Power (continuous)	3 kW maximum
Meter Scale	GA3005-1: 3.5 kW; GA3005-2: 2.0 kW GA3005-3: 350 W; GA3005-4: 200 W
Accuracy	+/- 5% of full scale @ 25°C
Return Loss	23 dB nominal
Water Connections	1/8 NPT Female
Water Flow	0.5 gpm min. at full input power, 70 psi max., 50°C max.
Cable	RG-58/U, BNC male connectors, 6' long

Options:

- ◆ Alternate meter scale
- ◆ Water connection fittings
- ◆ Flange interlock switches



METER CASE



DUMMY LOAD COUPLER



GERLING APPLIED
ENGINEERING, INC.

© 2004 Gerling Applied Engineering, Inc.
PO Box 580816 • Modesto, CA 95358 • USA
Phone: +1-209-527-8960 • Fax: +1-209-527-5385
E-mail: sales@2450MHz.com • Web: www.2450MHz.com