

Dual Power Monitor, WR340

GERLING

Model GA3007

The model GA3007 Dual Power Monitors provide a low cost and convenient means to measure the level of microwave power flowing in both directions in WR340 waveguide. Microwave power is displayed by large analog meters enclosed in an attractive case suitable for both laboratory and industrial applications.

The heart of the GA3007 is the model GA3106 Dual Directional Coupler, part of the compact, high performance WaveProbe™ family of waveguide couplers. Crystal detectors convert the coupler output RF signals to DC voltages which are delivered to the analog meters via RG-58/U coaxial cables.

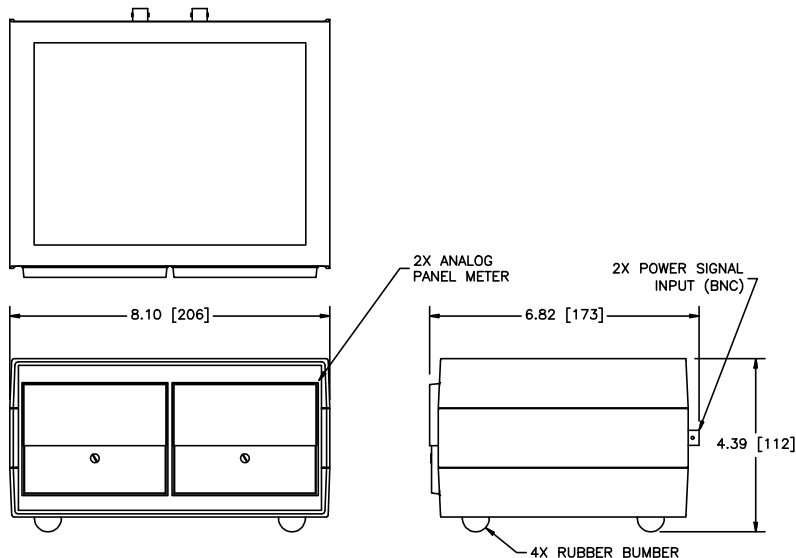
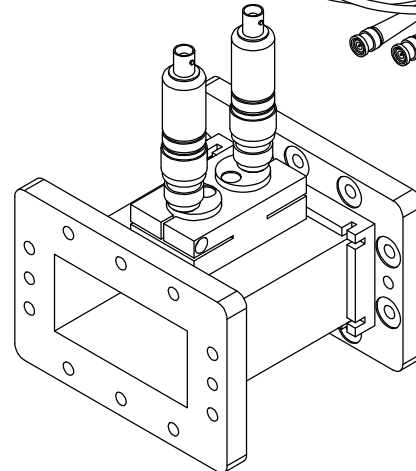
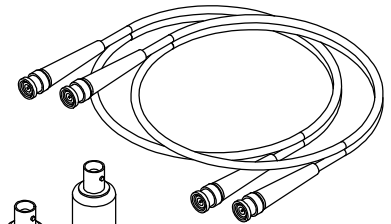
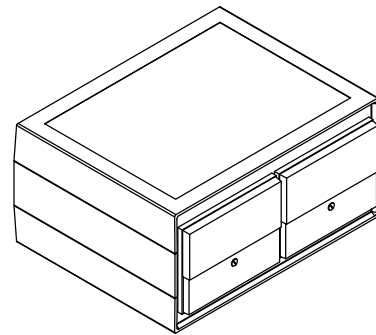
The GA3007 is calibrated as a complete set for the specific type of waveform delivered by the microwave generator. Please specify the waveform type ("pulsed" and "CW" are standard options) when ordering.

Specifications:

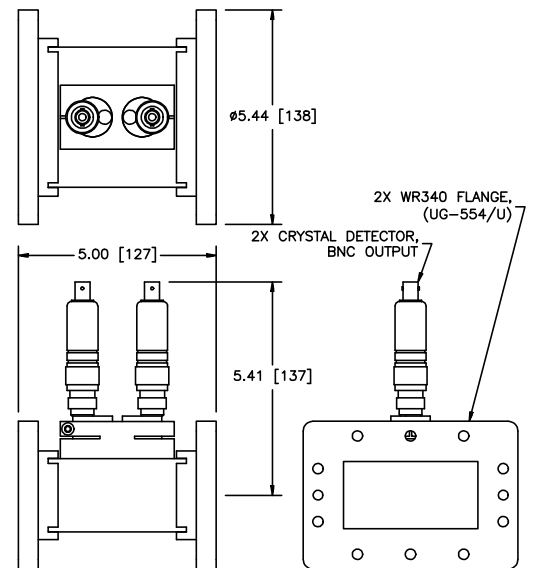
Waveguide	WR340
Flange	UG554/U
Frequency	2450 MHz +/- 50 MHz
Power (continuous)	10 kW maximum
Meter Scale (both)	GA3007-1: 3.5 kW; GA3007-2: 2.0 kW GA3007-3: 350 W; GA3007-4: 200 W
Accuracy	+/- 5% of full scale @ 25°C
Coupler Directivity	25 dB minimum
Cables	RG-58/U, BNC male connectors, 6' long

Options:

- ◆ Alternate meter scales
- ◆ Alternate flange-flange length (5" minimum)
- ◆ Flange interlock switches



DUAL METER CASE



DUAL DIRECTIONAL WAVEGUIDE COUPLER



GERLING APPLIED
ENGINEERING, INC.

© 2004 Gerling Applied Engineering, Inc.
PO Box 580816 ▪ Modesto, CA 95358 ▪ USA
Phone: +1-209-527-8960 ▪ Fax: +1-209-527-5385
E-mail: sales@2450MHz.com ▪ Web: www.2450MHz.com