

# Dual Power Monitor, 5.8 GHz, CPR159

GERLING

## Model GA3008

The model GA3008 Dual Power Monitor provides a low cost and convenient means to measure the level of 5.8 GHz microwave power flowing in both directions in WR159 waveguide. Microwave power is displayed by large analog meters enclosed in an attractive case suitable for both laboratory and industrial applications.

The heart of the GA3008 is the model GA3115 Dual Directional Coupler, part of the compact, high performance WaveProbe™ family of waveguide couplers. Crystal detectors convert the coupler output RF signals to DC voltages which are delivered to the analog meters via RG-58/U coaxial cables.

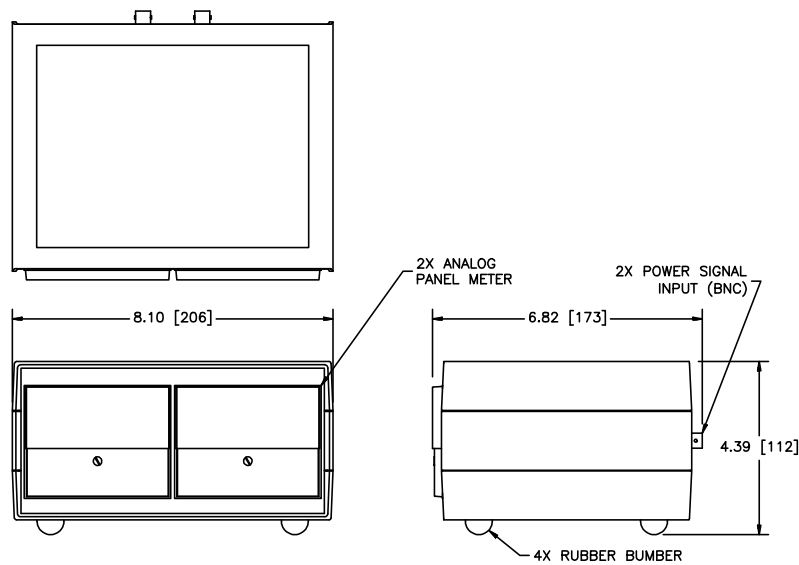
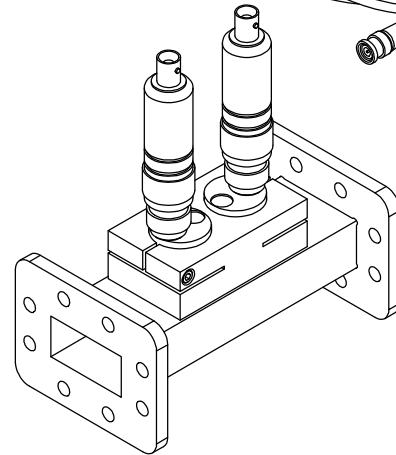
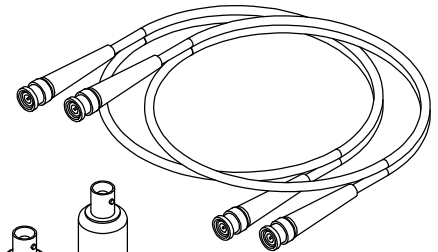
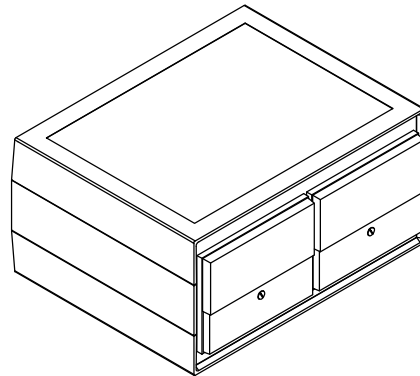
The GA3008 is calibrated as a complete set for the specific type of waveform delivered by the microwave generator. Please specify the waveform type ("pulsed" and "CW" are standard options) when ordering.

### Specifications:

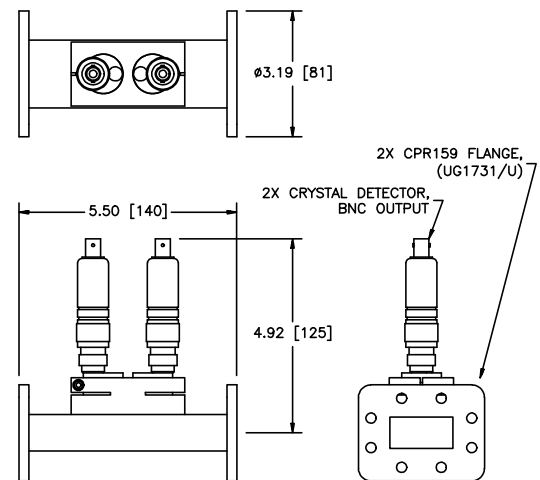
Waveguide	WR159
Flange	CPR159F (UG1731/U)
Frequency	5.8 GHz +/- 75 MHz
Power (continuous)	1 kW maximum
Meter Scale (both)	1 kW
Accuracy	+/- 5% of full scale @ 25°C
Coupler Directivity	23 dB minimum
Cables	RG-58/U, BNC male connectors, 6' long

### Options:

- ◆ Alternate meter scales
- ◆ Alternate flange styles
- ◆ Alternate flange-flange length (5" minimum)
- ◆ Threaded inserts or studs on waveguide flanges
- ◆ Flange interlock switches



DUAL METER CASE



DUAL DIRECTIONAL WAVEGUIDE COUPLER



GERLING APPLIED  
ENGINEERING, INC.

© 2003 Gerling Applied Engineering, Inc.  
PO Box 580816 • Modesto, CA 95358 • USA  
Phone: +1-209-527-8960 • Fax: +1-209-527-5385  
E-mail: sales@5800MHz.com • Web: www.5800MHz.com