

Dual Power Monitor, WR430

GERLING

Model GA3010

The model GA3010 Dual Power Monitors provide a low cost and convenient means to measure the level of microwave power flowing in both directions in WR430 waveguide. Microwave power is displayed by large analog meters enclosed in an attractive case suitable for both laboratory and industrial applications.

The heart of the GA3010 is the model GA3107 Dual Directional Coupler, part of the compact, high performance WaveProbe™ family of waveguide couplers. Crystal detectors convert the coupler output RF signals to DC voltages which are delivered to the analog meters via RG-58/U coaxial cables.

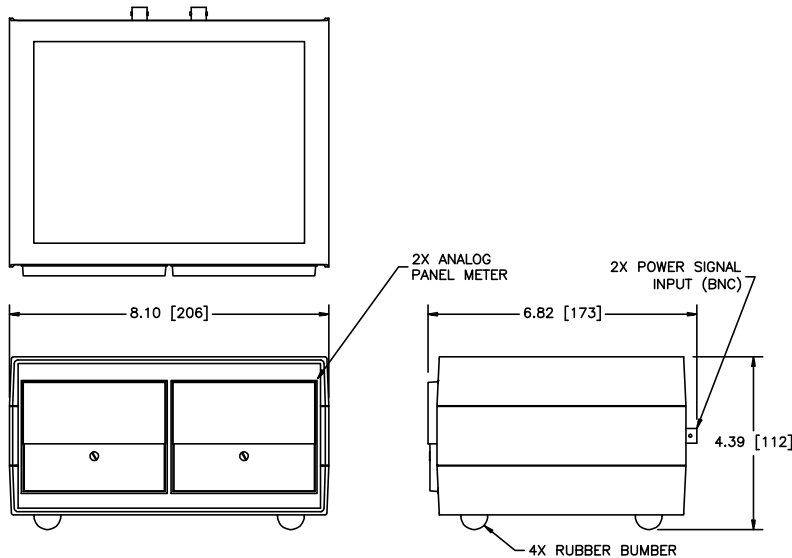
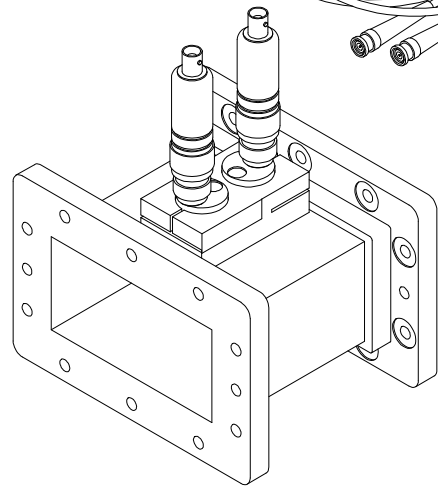
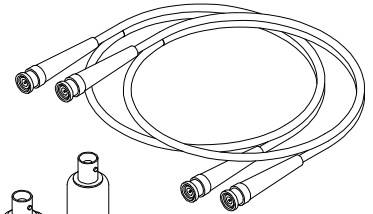
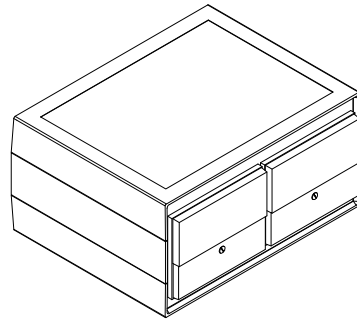
The GA3010 is calibrated as a complete set for the specific type of waveform delivered by the microwave generator. Please specify the waveform type ("pulsed" and "CW" are standard options) when ordering.

Specifications:

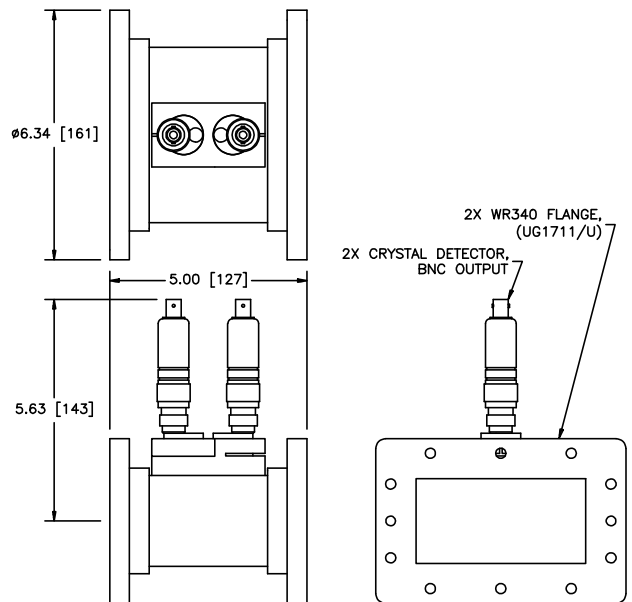
| | |
|---------------------|---|
| Waveguide | WR430 |
| Flange | UG1711/U |
| Frequency | 2450 MHz +/- 50 MHz |
| Power (continuous) | 30 kW maximum |
| Meter Scale (both) | GA3010-1A: 1.2 kW GA3010-2A: 1.8 kW GA3010-3A: 3 kW GA3010-4A: 700 W GA3010-6: 6 kW GA3010-10: 10 kW GA3010-15: 15 kW GA3010-30: 30 kW |
| Accuracy | +/- 5% of full scale @ 25°C |
| Coupler Directivity | 23 dB minimum |
| Cables | RG-58/U, BNC male connectors, 6' long |

Options:

- ◆ Alternate meter scales
- ◆ Flange interlock switches



DUAL METER CASE



DUAL DIRECTIONAL WAVEGUIDE COUPLER



GERLING APPLIED
ENGINEERING, INC.

© 2004-2009 Gerling Applied Engineering, Inc.
PO Box 580816 ▪ Modesto, CA 95358 ▪ USA
Phone: +1-209-527-8960 ▪ Fax: +1-209-527-5385
E-mail: sales@2450MHz.com ▪ Web: www.2450MHz.com