

# 1.8kW OEM Microwave Generator, 2.45 GHz

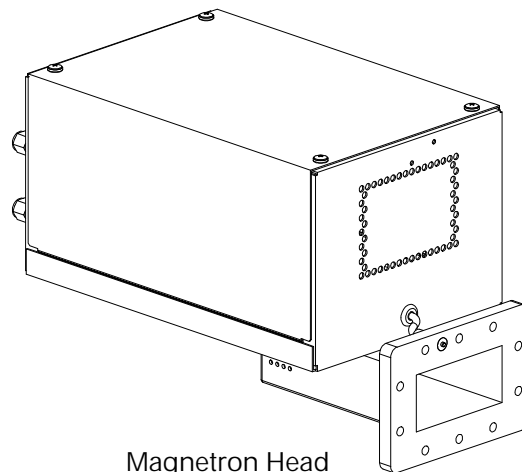
GERLING

**Model GA4319**  
**Model GA4325**

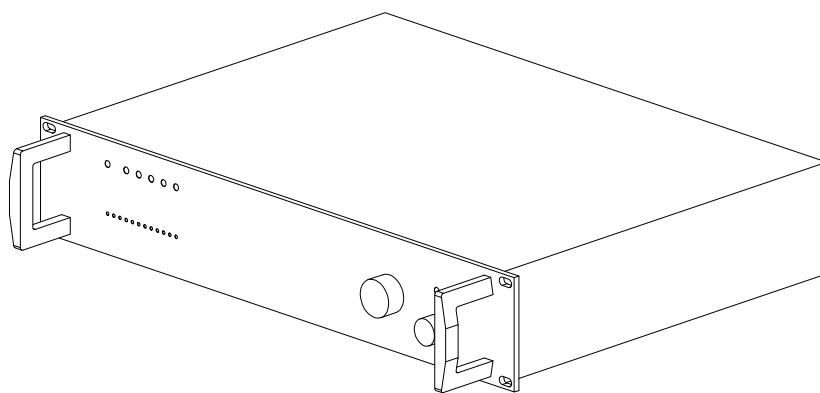
The models GA4319 and GA4325 microwave generators are designed to deliver up to 1.8kW variable microwave power for industrial microwave heating applications. These systems consist of a rack mounted power supply (model GA4105A), remote magnetron head (model GA4018 or GA4023) and interconnecting cable set for a turnkey user-friendly microwave generator. The magnetron head is specially designed for OEM system applications where small size and ease of maintenance are of primary importance. Operation of the microwave generator is by an analog remote control interface.

Installation, serviceability and operator safety were primary considerations in the design of the microwave generator. Setup involves little more than locating the power supply and magnetron head modules, attaching the waveguide and interconnect cables and plugging in the line power connector. Convenient mounting holes allow the equipment to be secured in place if necessary. Removal and replacement of the internal magnetron can be accomplished quickly using standard tools. The system is designed to comply with all regulatory requirements for emissions and operator safety when used in industrial environments.

The magnetron head is housed in an attractive brushed stainless steel enclosures for a striking appearance and rugged durability. The complete system includes a standardized 10 ft. cable set for connecting between the magnetron head and power supply (alternate lengths may be specified by customer). Optionally, the interconnect cables and/or connector set may be ordered separately. Contact GAE for more detailed information on these and other available options and custom configurations.



Magnetron Head



Power Supply Module

## General Specifications:

Output Frequency	2.45 GHz +/- 30 MHz
Output Power	1.8kW continuous
Output Control	Continuously variable 10-100%
Output Ripple	<5% of full power
Regulation:	<1% for +/- 10% line voltage variation
Magnetron	Water-cooled Panasonic 2M259
Output Waveguide	GA4319: WR340 GA4325: WR284
Output Flange	GA4319: WR340 (UG-554/U) GA4325: CPR284 (UG-1725/U)
Cooling	MH: Water flow, 0.5 gpm @ 35°C max inlet temp (dew point min. inlet temp) PS: Forced air by internal fans
Input Line Power	180-265 VAC, 50/60 Hz, 1-phase, 17.5 Amp max (@ 230 VAC)
Remote Controls	Mw Enable Input (+24 VDC) Power Control Input (0-10 VDC) Anode Current Output (0-10 VDC) System Ready Output (+24 VDC)

Local Controls	Main Power On-Off (rotary switch) Mw Power Adjust (multiturn dial) Power and Status Indicators (LED)
Interlocks	Access cover, Magnetron cooling, Magnetron over-temp
Construction	MH: Brushed stainless steel enclosure, aluminum waveguide PS: Aluminum rack-mount enclosure
Weight (approx.)	MH: 15 lbs (7 kgm) PS: 26 lbs (12 kgm)

## Accessories:

- ◆ Flange Hardware Kit, Model GA8409 (please see GA8409 specification for selection)



GERLING APPLIED  
ENGINEERING, INC.

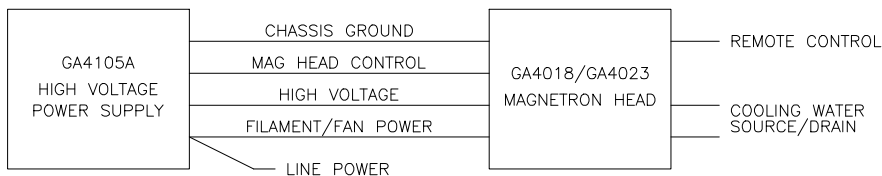
© 2005-2007 Gerling Applied Engineering, Inc.  
PO Box 580816 ▪ Modesto, CA 95358 ▪ USA  
Phone: +1-209-527-8960 ▪ Fax: +1-209-527-5385  
E-mail: sales@2450MHz.com ▪ Web: www.2450MHz.com

# 1.8kW OEM Microwave Generator, 2.45 GHz

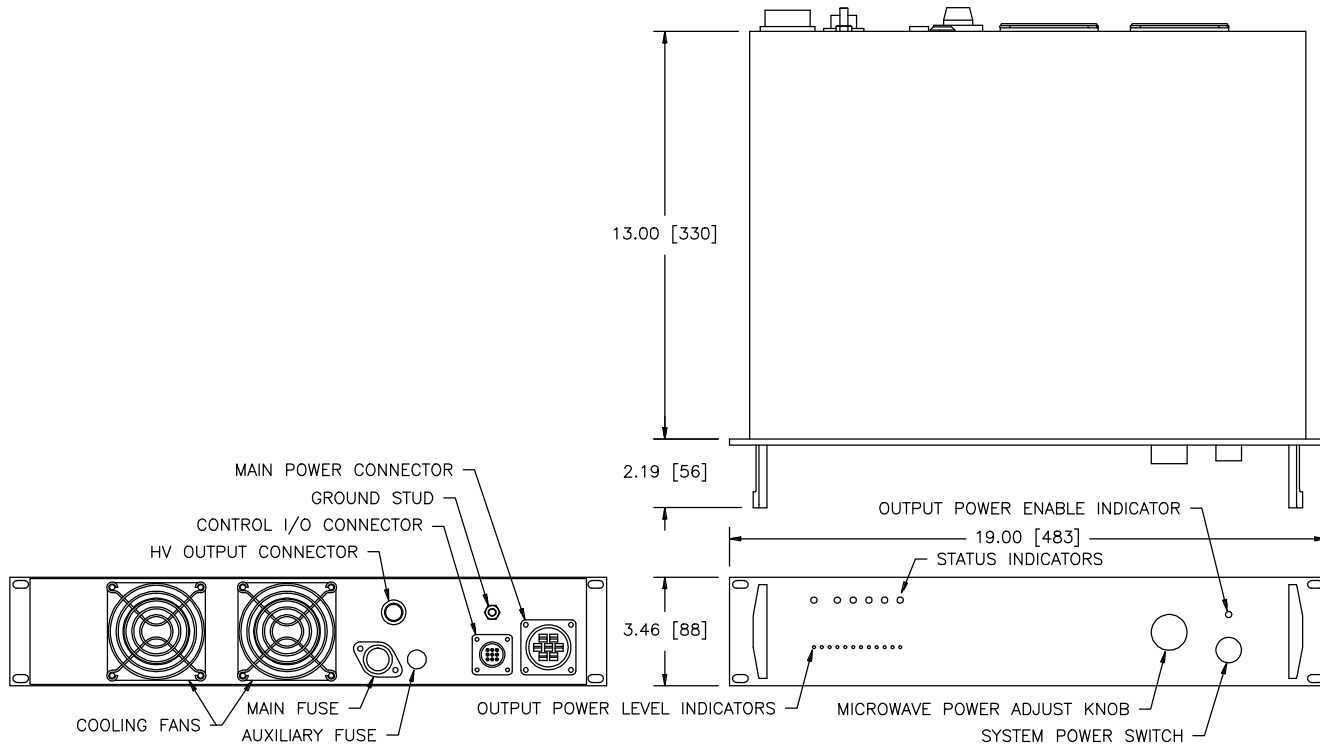
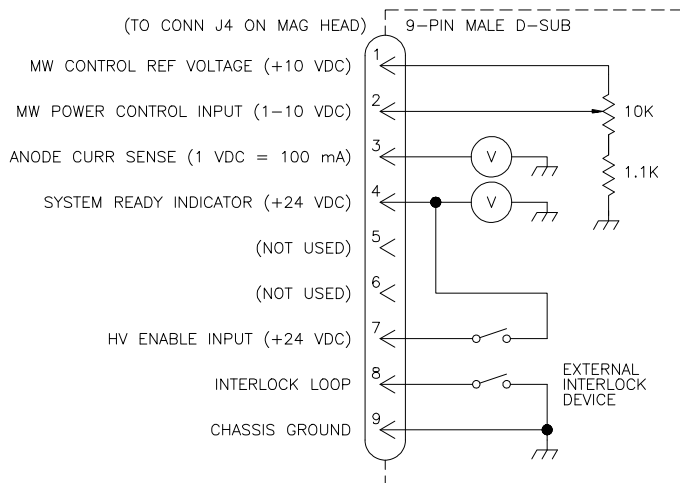
GERLING

Model GA4319  
Model GA4325

## SYSTEM INTERCONNECT DIAGRAM



## REMOTE CONTROL INTERFACE



Model GA4105A Power Supply



GERLING APPLIED  
ENGINEERING, INC.

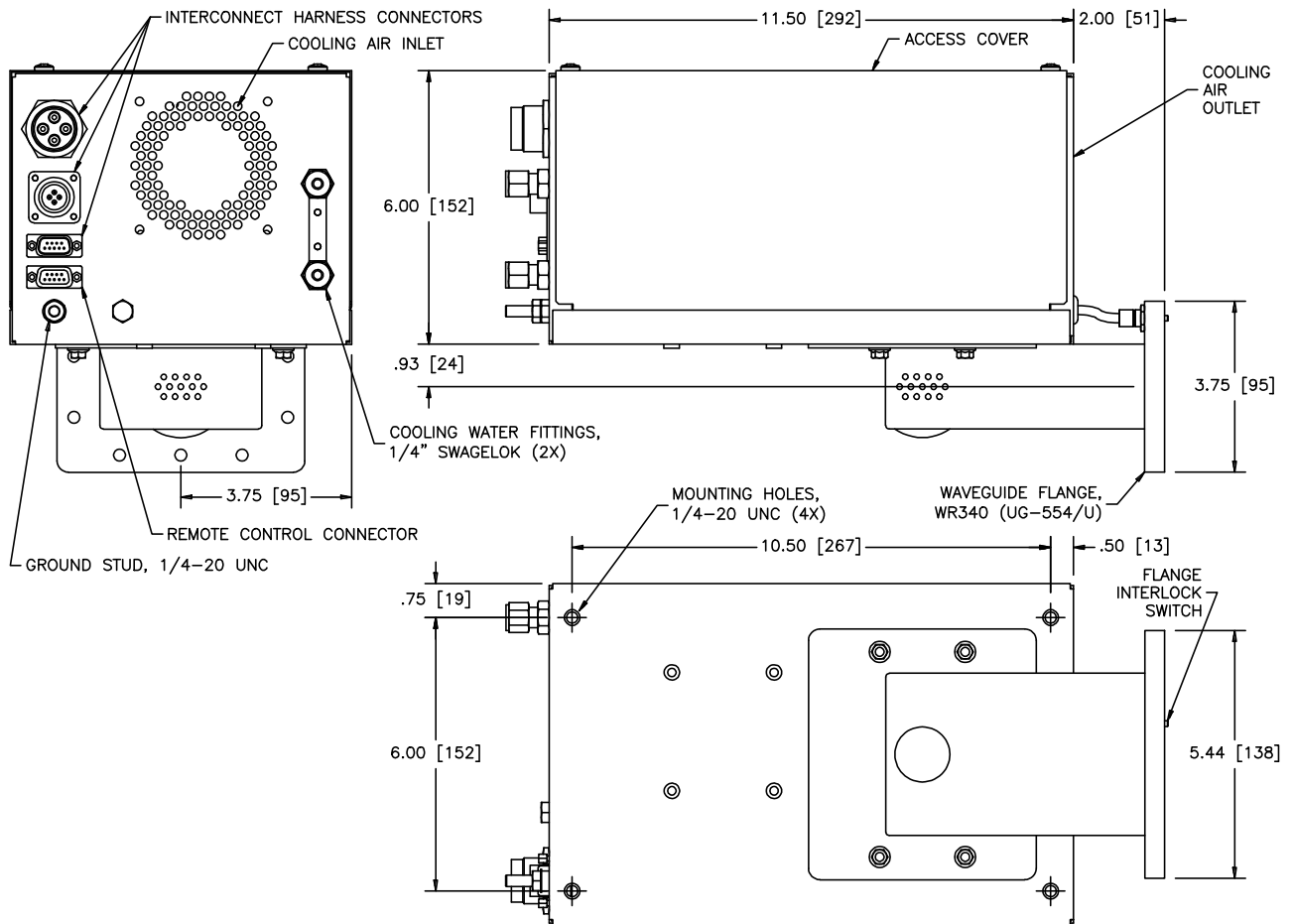
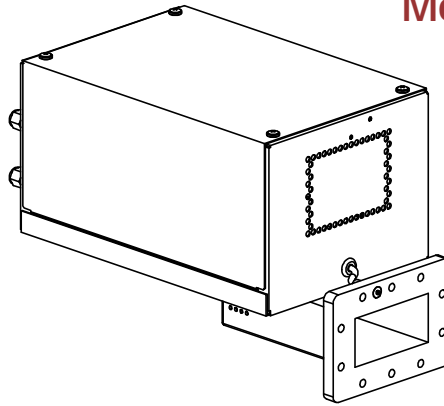
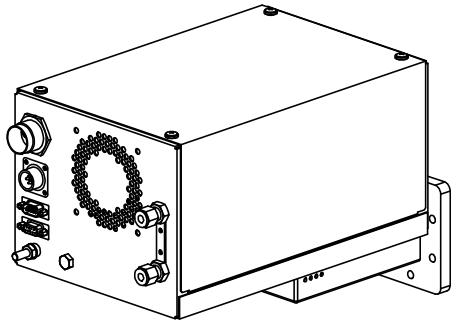
© 2005-2007 Gerling Applied Engineering, Inc.  
PO Box 580816 • Modesto, CA 95358 • USA  
Phone: +1-209-527-8960 • Fax: +1-209-527-5385  
E-mail: sales@2450MHz.com • Web: www.2450MHz.com

All dimensions are in inches [millimeters].

# 1.8kW OEM Microwave Generator, 2.45 GHz

GERLING

Model GA4319  
Model GA4325



Model GA4018 Magnetron Head



GERLING APPLIED  
ENGINEERING, INC.

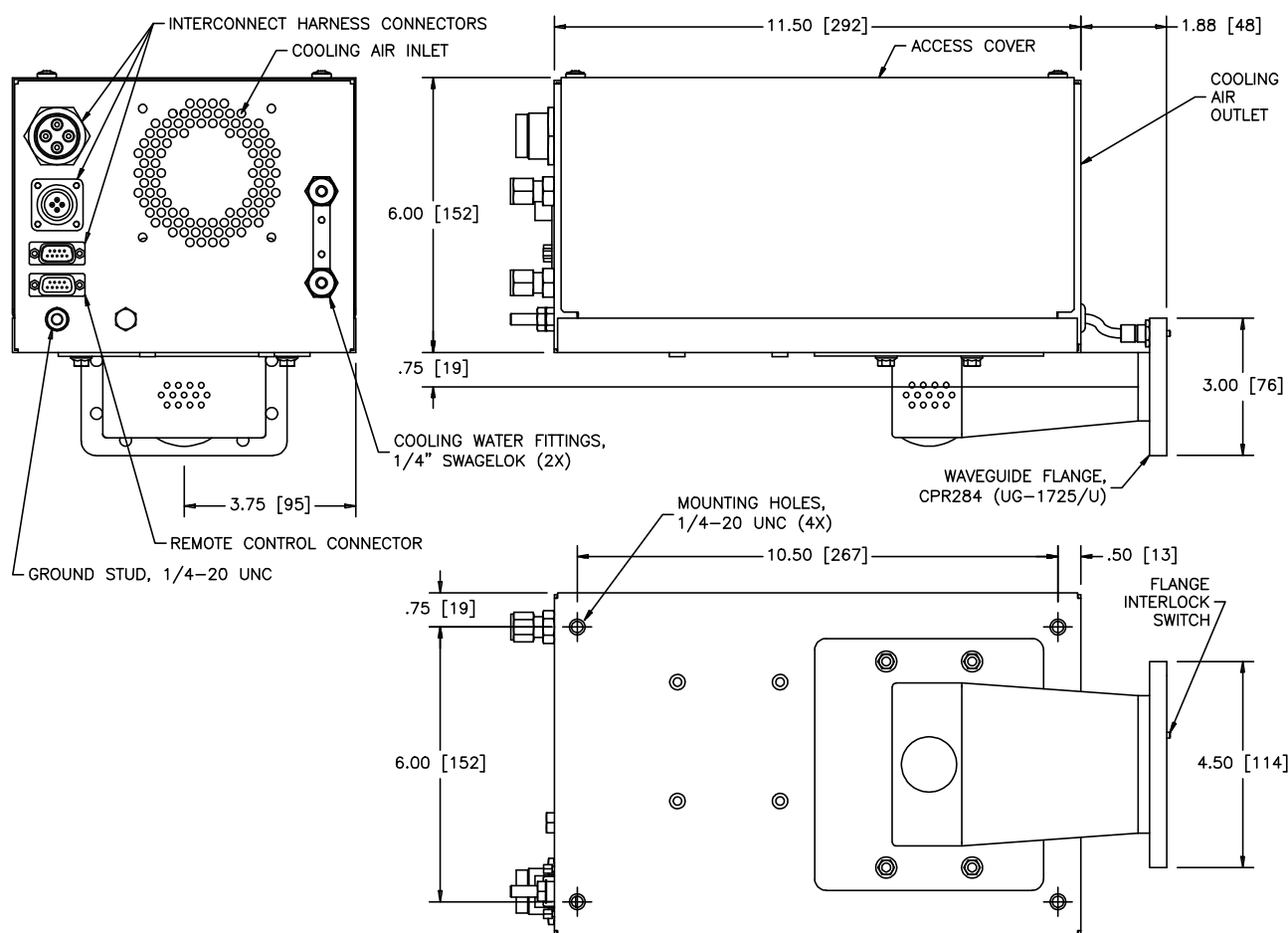
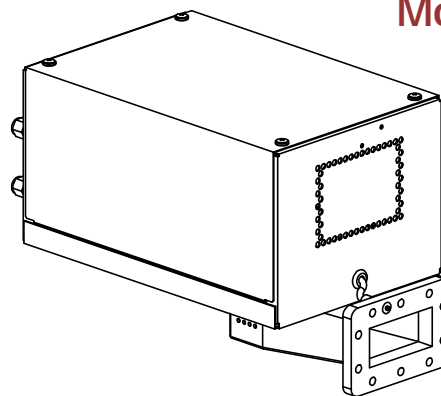
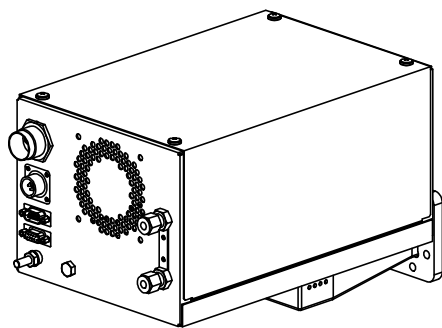
© 2005-2007 Gerling Applied Engineering, Inc.  
PO Box 580816 ▪ Modesto, CA 95358 ▪ USA  
Phone: +1-209-527-8960 ▪ Fax: +1-209-527-5385  
E-mail: sales@2450MHz.com ▪ Web: www.2450MHz.com

All dimensions are in inches [millimeters].

# 1.8kW OEM Microwave Generator, 2.45 GHz

GERLING

Model GA4319  
Model GA4325



Model GA4023 Magnetron Head



GERLING APPLIED  
ENGINEERING, INC.

© 2005-2007 Gerling Applied Engineering, Inc.  
PO Box 580816 • Modesto, CA 95358 • USA  
Phone: +1-209-527-8960 • Fax: +1-209-527-5385  
E-mail: sales@2450MHz.com • Web: www.2450MHz.com

All dimensions are in inches [millimeters].