

# 6kW OEM Microwave Generator, 2.45 GHz

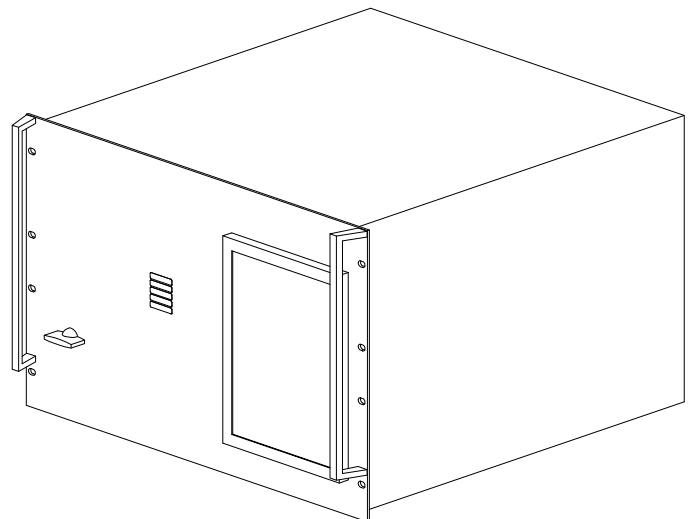
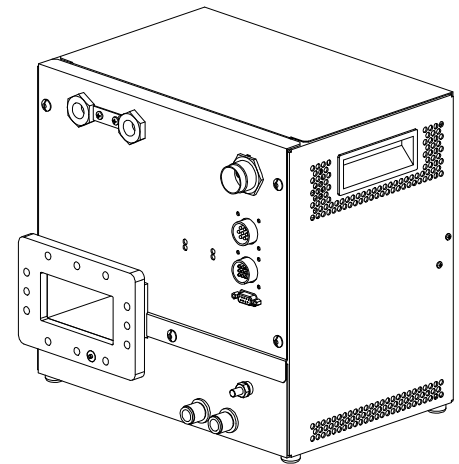
GERLING

## Model GA4332

The model GA4332 is a complete 6kW microwave generator system designed for use with industrial process equipment requiring a high performance yet economical source of microwave power. Consisting of separate magnetron head and switch mode power supply modules, this OEM system is easily integrated into production equipment with minimal design effort. All control functionality is provided remotely by the user via analog and/or digital interfaces, while local controls are optionally available. Optional internal circuits provide for monitoring forward and reverse microwave power signals from external waveguide couplers, such as those on the GA1116 2-port isolator (available separately). Included with the GA4332 system is a complete set of interconnect cabling between the two modules for convenient setup and operation.

Serviceability and reliability of the magnetron head was a primary consideration in its design. Removal and replacement of the magnetron can be done easily using standard tools. Multiple interlock devices protect against exposure to high power microwave energy and hazardous voltages. The power supply module combines state-of-the-art inverter technology with advanced microprocessor controls to provide high performance in a compact and light weight package.

The complete system includes mating connectors and a standardized 10 ft. cable set for connecting between the magnetron head and power supply (other lengths may be specified by customer). Contact GAE for more detailed information on these and other available options and custom configurations.



### General Specifications:

Output Power (max)	6kW
Frequency	2450 MHz +/- 30 MHz
Output Power Range	10-100%, continuously variable
Output Ripple	+/- 2% of full output
Magnetron	YJ-1600
Output Waveguide	WR340
Output Flange	UG554/U
Cooling	Mag Head: Water @ 1.0 gpm min Power Supply: Internal fans
Input Power	420-520 VAC, 50/60 Hz, 3-phase, 14.5 Amps/phase (@ 480V)
Local Controls	System On/Off, Status indicators
Remote Controls	Analog, RS-232
Interlocks	Waveguide flange, Access cover, Magnetron over-temp, Arc detect, Water flow
Temperature	41-104 °F (5-40 °C)
Relative Humidity	80% up to 88 °F (31 °C), decreasing linearly to 50% at 104 °F (40 °C)
Weight (approx.)	Mag Head: 35 lb (17 kg) Power Supply: 77 lb (35 kg)

### Options:

- ◆ Front panel display
- ◆ Ethernet control interface
- ◆ Forward and/or reflected power signal interface (requires separate waveguide coupler)
- ◆ Input Line Voltage: 360-450 VAC or 190-240 VAC

### Accessories:

- ◆ 2-Port Isolator with reflected power coupler, GAE model GA1116
- ◆ Coaxial cable for coupler power signal, GAE part number 070505-18
- ◆ Flange Hardware Kit, Model GA8409 (please see GA8409 specification for selection)



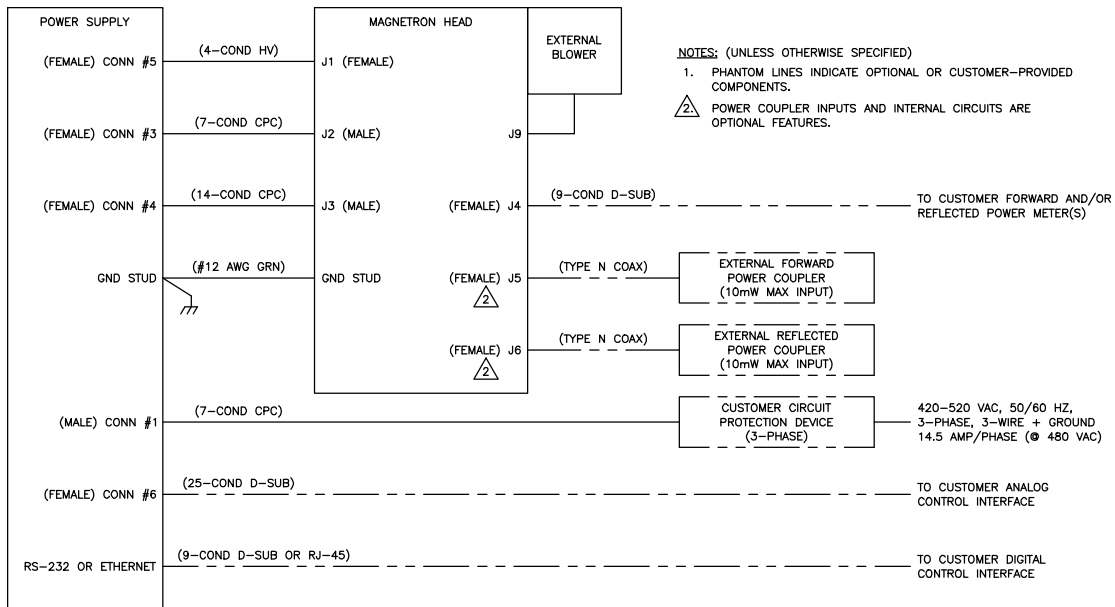
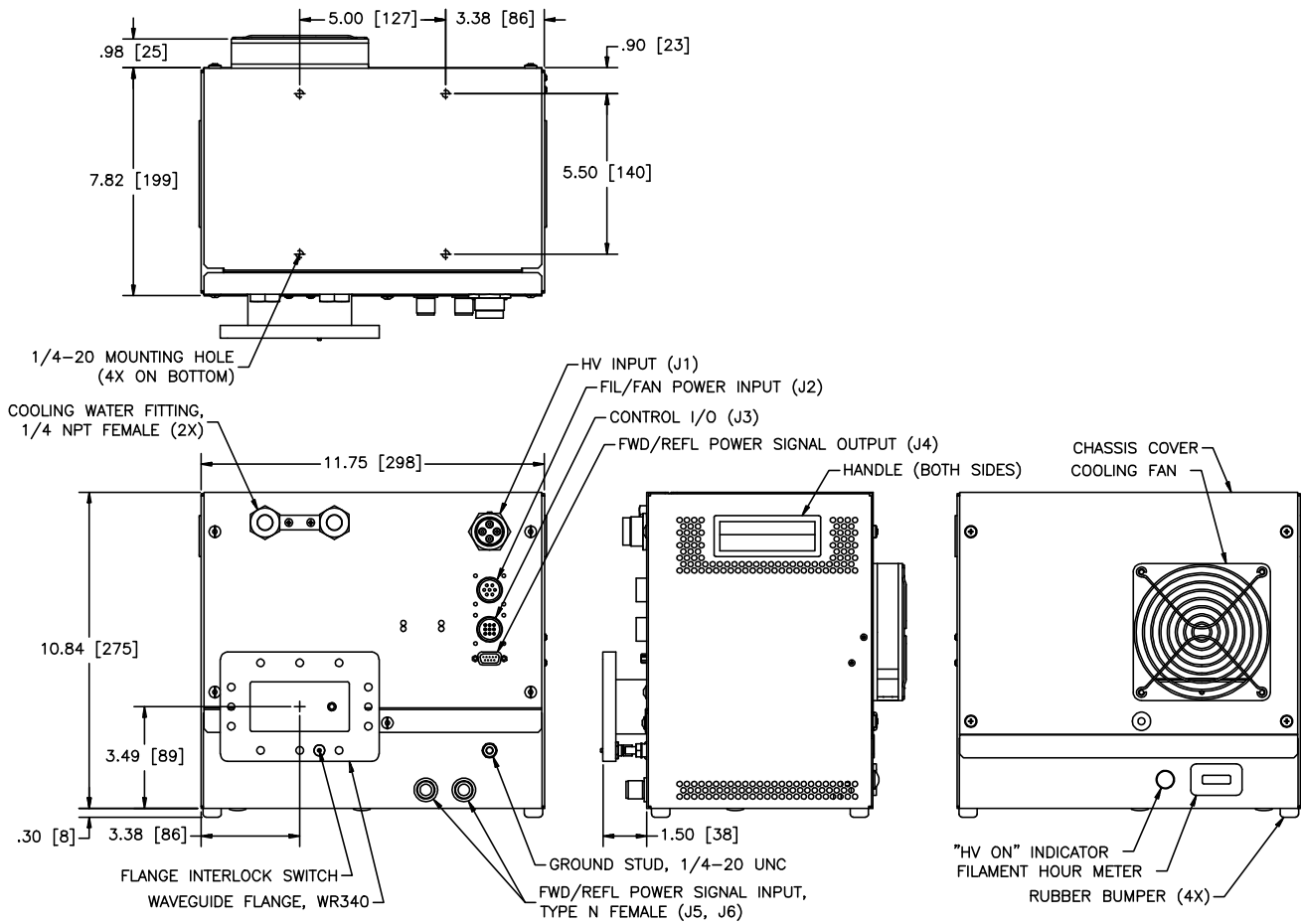
GERLING APPLIED  
ENGINEERING, INC.

© 2009-2010 Gerling Applied Engineering, Inc.  
PO Box 580816 • Modesto, CA 95358 • USA  
Phone: +1-209-527-8960 • Fax: +1-209-527-5385  
E-mail: sales@2450MHZ.com • Web: www.2450MHZ.com

# 6kW OEM Microwave Generator, 2.45 GHz

GERLING

## Model GA4332



GERLING APPLIED ENGINEERING, INC.

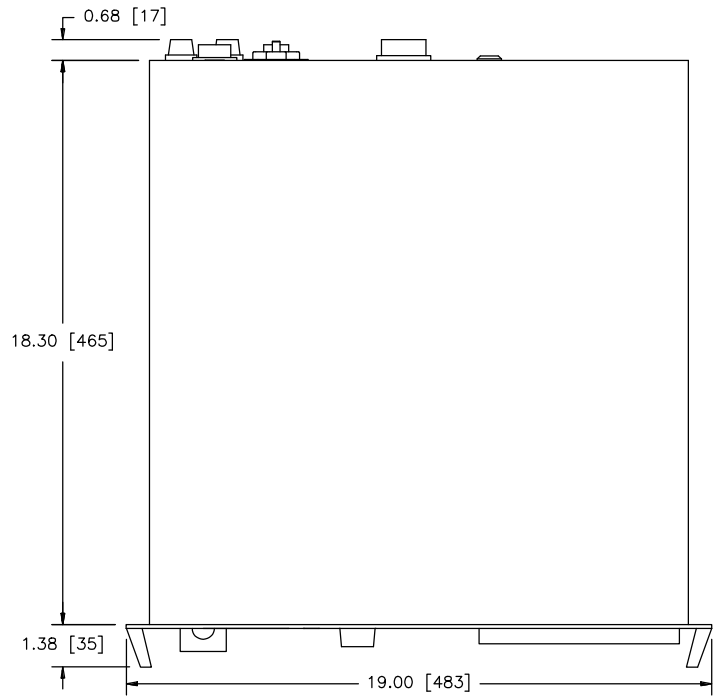
© 2009-2010 Gerling Applied Engineering, Inc.  
 PO Box 580816 ▪ Modesto, CA 95358 ▪ USA  
 Phone: +1-209-527-8960 ▪ Fax: +1-209-527-5385  
 E-mail: sales@2450MHz.com ▪ Web: www.2450MHz.com

All dimensions are in inches [millimeters].

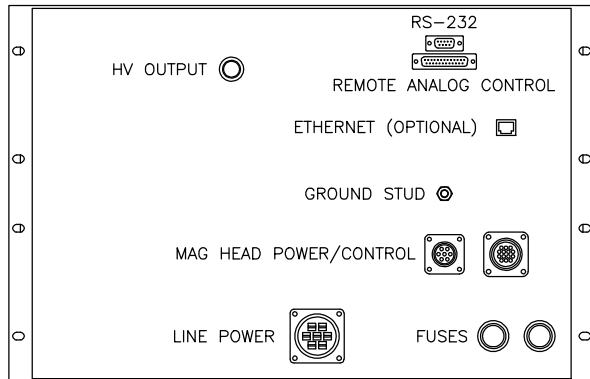
# 6kW OEM Microwave Generator, 2.45 GHz

GERLING

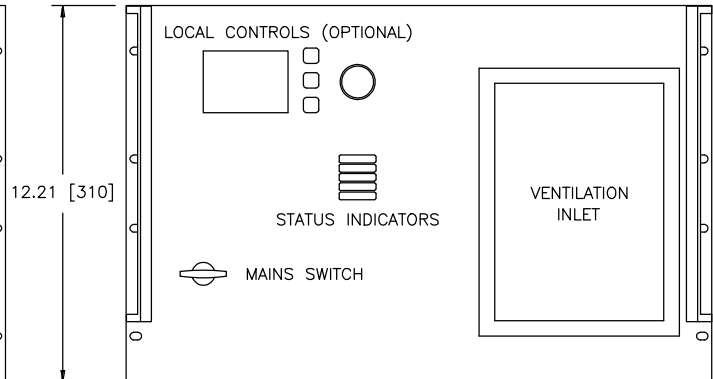
## Model GA4332



(REAR PANEL)



(FRONT PANEL)



GERLING APPLIED  
ENGINEERING, INC.

© 2009-2010 Gerling Applied Engineering, Inc.  
PO Box 580816 ▪ Modesto, CA 95358 ▪ USA  
Phone: +1-209-527-8960 ▪ Fax: +1-209-527-5385  
E-mail: sales@2450MHz.com ▪ Web: www.2450MHz.com

All dimensions are in inches [millimeters].