

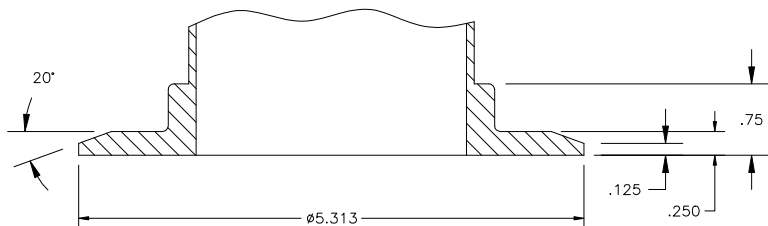
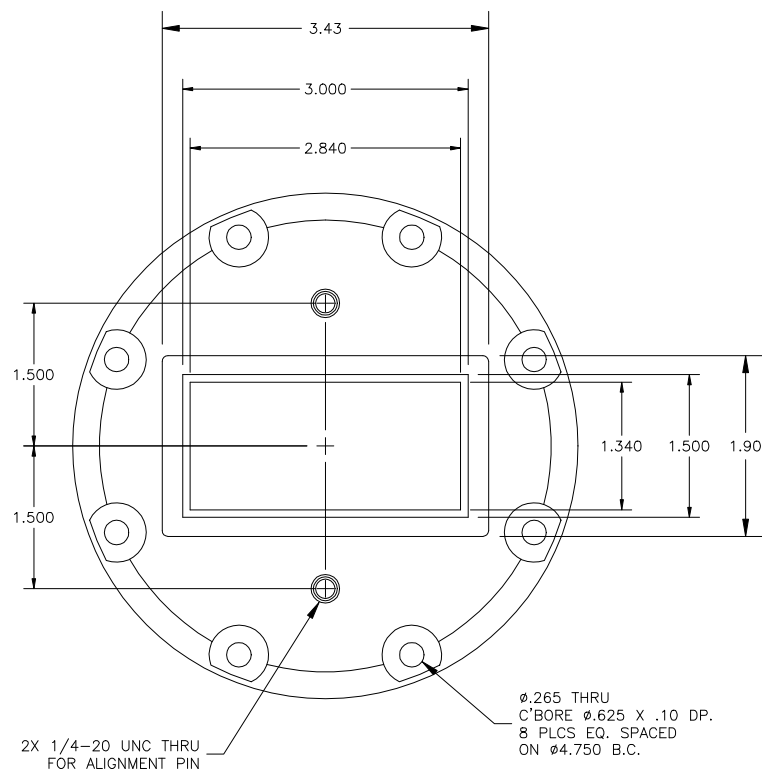
4

3

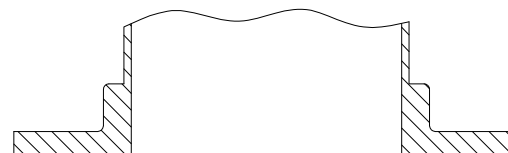
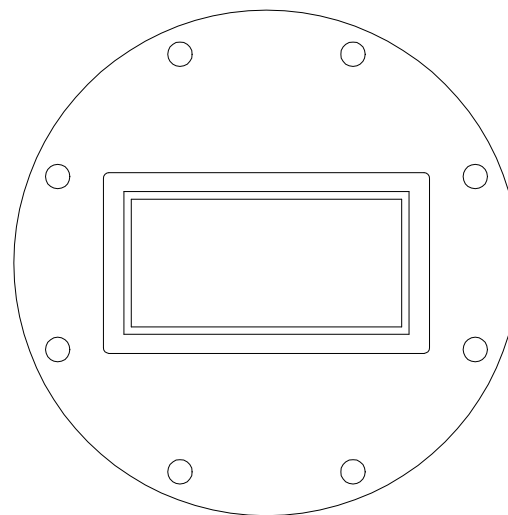
2

1

REVISIONS				
ZONE	REV	DESCRIPTION	DATE	APPROVED
	X	PRELIMINARY RELEASE	15JAN00	JFG



TAPERED ROUND (QUICK-DISCONNECT)



STANDARD ROUND (UG584/U)

D

C

B

A

D

C

B

A

DWG NO. 910373
 1 X1
 SH REV

UNLESS OTHERWISE SPECIFIED: DIMENSIONS ARE IN INCHES (MM) TOLERANCES: DECIMALS .XX $\pm .01$ ANGLES $\pm 1/2$ DEG XXX-005		CONTRACT NO.		APPROVAL		DATE	
DO NOT SCALE DRAWING		DRAWN JFG		CHECKED ENGR		15JAN00	
APPLICATION		MATERIAL N/A		FINISH N/A		THIS DOCUMENT SHALL NOT BE REPRODUCED, NOR SHALL THE INFORMATION CONTAINED HEREIN BE USED BY OR DISCLOSED TO OTHERS EXCEPT AS EXPRESSLY AUTHORIZED IN WRITING BY GAE, INC.	
THIRD ANGLE PROJECTION		SIZE C		DWG. NO. 910373		REV X1	
		SCALE NONE		SHEET 1 OF 1			

GAE GEOLING APPLIED ENGINEERING, INC.
 P.O. BOX 580816, MODESTO, CA 95358

WR284 ROUND FLANGE
 OUTLINE DRAWING